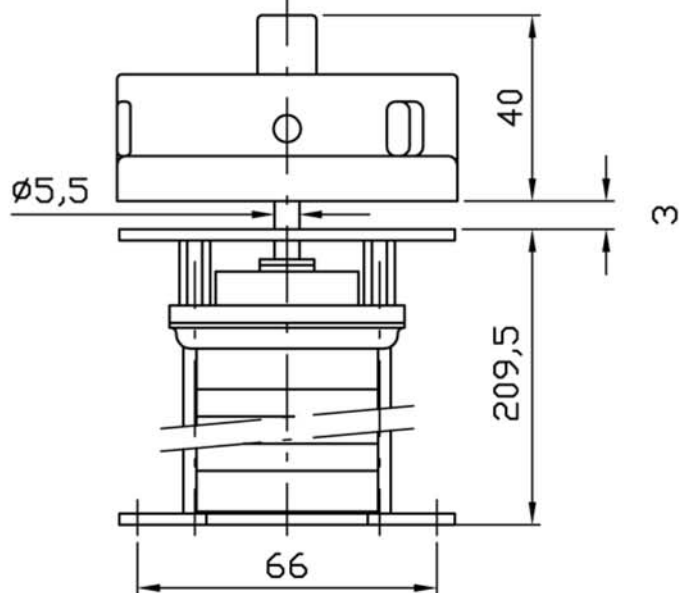
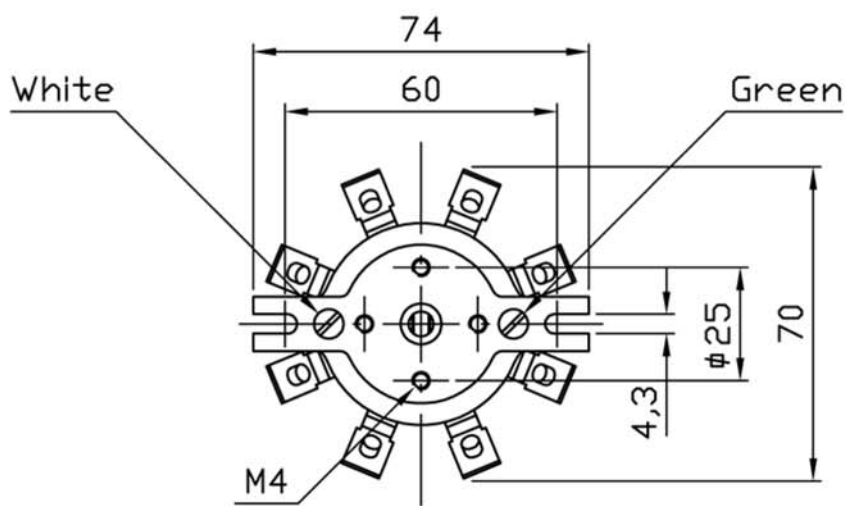
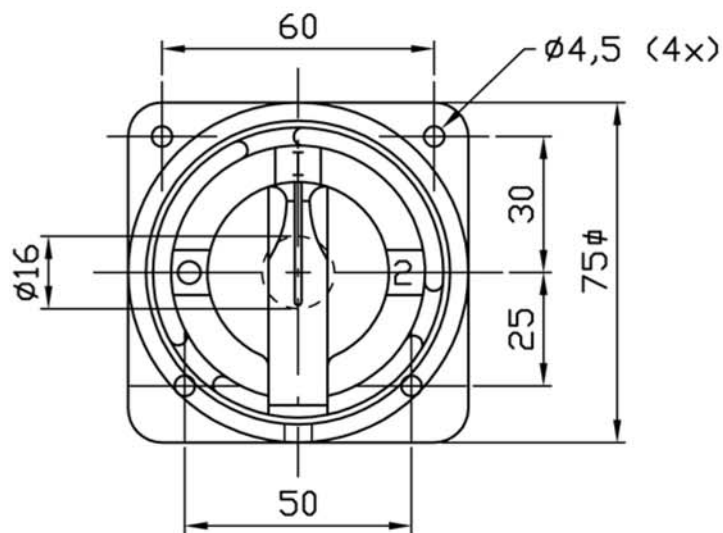


POSITION OF HANDLE	0	OFF	
	1	1-A1	
		2-B1	
		3-C1	
		4-D1	
	2	1-A2	
		2-B2	
		3-C2	
		4-D2	
	/		

Ith	Ie	Ue
16A	16A	750V DC 21 *

* TO BE TESTED



D				
C				
Rev.		Drn by	Date	App. by

SANTON TYPENR. RPBC 1429/50A01036 + 20G1020.9F-8

Drn by : C.Z.	Date : 25-01-2012	App. by :
 JDA JD Auspice Co., Ltd TEL: 886-2-2595-9780 FAX: 886-2-2595-9412 service@jdauspice.com www.jdauspice.com	Computer nr.	50A01036