

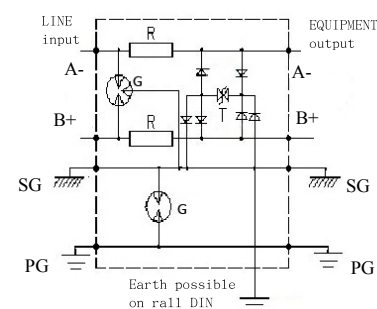
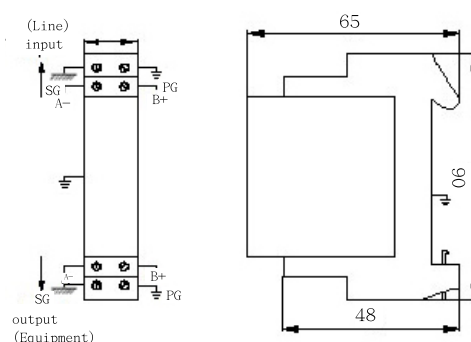
## Type: DN-~~&&~~/xxxxx-2G

Surge protective devices with plug-in protection modules for high-frequency signal transmission systems against surges at the boundaries from lightning protection zone 0B>2



## Terminal Block Modules series

- Data network protector in according with IEC61643-21.
- Two parts design, surge protection modules to be exchanged easily.
- Limit the transients with gas discharge tubes and diodes.
- Two-stage protection circuit.
- 35 mm DIN-rail mounting design.



G:gas tube  
G:gas tube  
R:Resistance  
T:TVSS

## Technical Data

Model No.	DN-05/xxxx-2G
Appliance	xxxxx:RS232,RS422,RS423,RS485,0/4-20mA,0-5V,0-10V
Nominal line voltage (Un)	5V
Max line voltage	8V
Max line current	300mA
Nominal Discharge Current (8/20μs,KA) In 10 times	10kA
Total Max. Discharge Current(8/20μs,KA) Imax 1 time	20kA
Impulse current (Iimp) (10/350us KA) impulse 2 times	5kA
Nominal Current (A) $I_L$	0.5A
Protection level(Up) 8/20us impulse-5KA	20V
Series impedance per line (Ohm)	2.2 Ohm
Insertion loss at 10MHz (dB)	≤3.0
Degree of protection	IP20
Mounting on	35 mm DIN-rail
Enclosure Material	UL94 V0
Environment Temperature (°C)	- 40~+80