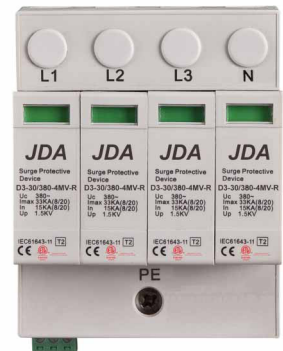




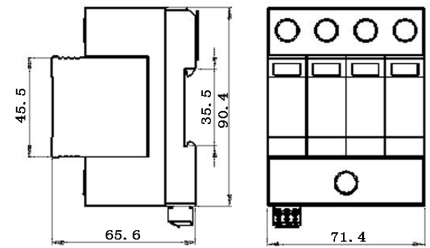
CONFORM TO UL1449  
CERTIFIED TO CSA C22.2#8



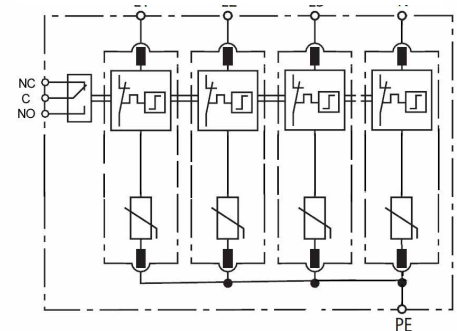
## Three Phase (4 MOV Modules) Surge Protection Devices TYPE: D3-30/380-4MV-R

Surge arrester for low-voltage power supply system protection against surges at the boundaries from lightning protection zone 0B-1 and higher.

- Class II (C) arrester in accordance with IEC61643-11:2011, UL1449 3rd.
- Two part design consisting of base and plug-in protection module.
- High energy MOV (Metal Oxide Varistor) inside.
- Reliable supervision due to disconnection device.
- Fault indication by red indication flag in window.
- Fast response.
- With remote alarm terminal optional.



All dimension in mm



## Technical Data

Type (47~63Hz)	D3-30/380-4MV-R	
Nominal voltage	380V/220V (L-L/L-N)	
In accordance with	IEC61643-11:2011; UL1449 3rd	
Category IEC/VDE	II/ C	
Protection mode	L-N, L-L,N-G,L-G	
Max. continuous operating voltage (AC/DC)	380/505	
Max. discharge current(8/20) I <sub>max</sub>	per phase	65KA
	Per mode	33KA
Voltage protection level	@I <sub>n</sub>	1.8KV
	@3KA	1.3KV
Response time	L-PE	≤25 ns
	N-PE	≤25 ns
Follow current	L-PE	No
	N-PE	No
Backup fuse(only required if not already provided in mains)	100A gL/gG	
Operating temperature range	- 40° C ~ + 80° C	
Humidity	95%~81%	
Cross-section of connection wire	Single-strand 35mm <sup>2</sup> ; multi-strand 25mm <sup>2</sup>	
Mounting	35mm DIN-rail in accordance with EN 50022/DIN46277-3	
Enclosure material	thermoplastic; extinguishing degree UL94 V-0	
Degree of protection and install environment	IP20	
Installation width	4 modules, DIN 43880	
Thermal disconnecter	Internal green – normal red - failure	
Remote alarm contact	Yes	
Technical	MOV	
Energy (Joule)	1600J	

Note: Subject to change without any notice.