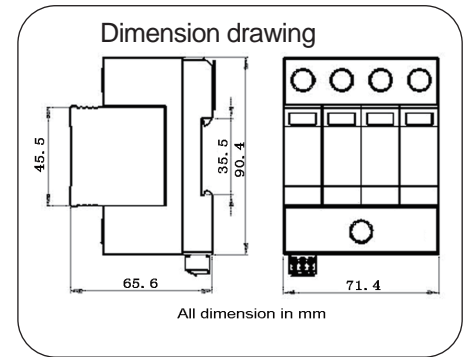
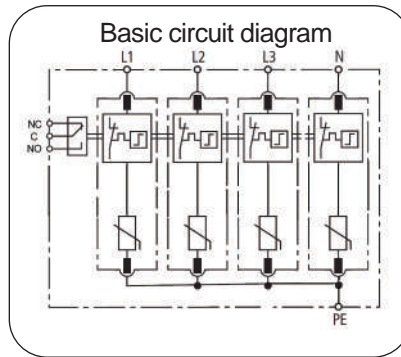


D3-40/320-4MV-R



Surge arrester for low-voltage power supply system protection against surges at the boundaries from lightning protection zone 1-2 and higher.

Type	D3-40/320-4MV-R	
	320	
In accordance with	IEC61643-11:2011; UL1449 3rd	
Category IEC/VDE	II/ C	
Max. continuous operating voltage (AC/DC)	320/420	
Nominal discharge current(8/20) In	20kA	
Max. discharge current(8/20) Imax	40kA	
Voltage protection level	@In	<1.5kV
	@VPR	<1.1kV
Response time	≤25 ns	
Follow current	No	
Backup fuse (only required if not already provided in mains)	125A gL/gG	
Operating temperature range	- 40°C ~ + 80°C	
Cross-section of connection wire	Single-strand 35mm ² ; multi-strand 25mm ²	
Mounting	35mm DIN-rail in accordance with EN 50022/DIN46277-3	
Enclosure material	thermoplastic; extinguishing degree UL94 V-0	
Degree of protection	IP20	
Installation width	4 modules, DIN 43880	
Thermal disconnecter	Internal green – normal ; red - failure	
Remote alarm contact	Yes	
Approvals, Certifications	CE	
Additional data for Remote Alarm Contacts	Additional data for Remote Alarm Contacts	
Remote alarm contact type	Isolated Form C	
Switching capability Un/In	AC: 250V/0.5A DC: 250V/0.1A; 125V/0.2A; 75V/0.5A	
Max. Size of connecting wire	Max. 1.5mm ² (or # 16AWG)	

Note: Subject to change without any notice.