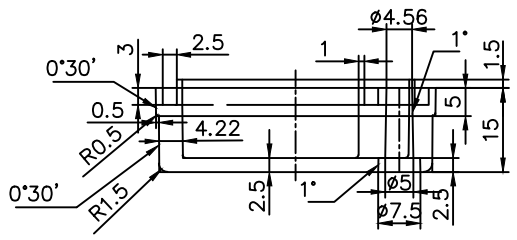
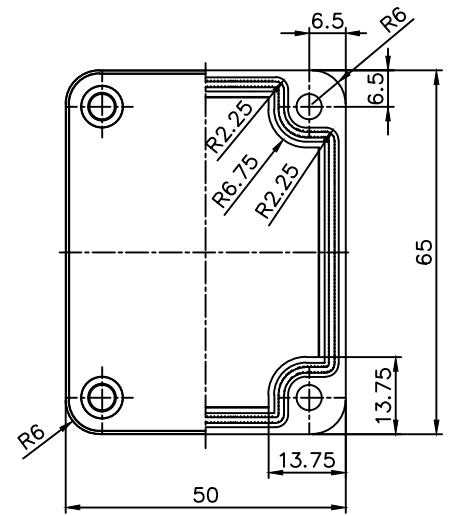


DATE	BY	CHKD	APP'D	REV
05/06/2018	0006	0006	0006	0006
0006 BODY				
DWG.				



DATE	BY	CHKD	APP'D	REV
05/06/2018	0006	0006	0006	0006
0006 COVER				
DWG.				