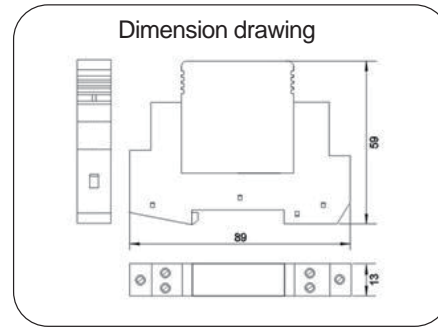
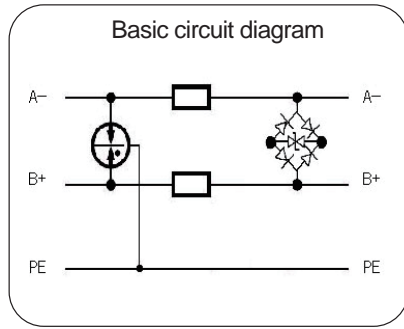


DN-24/G



Data network surge arrester for double-wire systems/RS485 against surges at the boundaries from lightning protection zone from 0B-2 and higher.

- Data network protector in according with IEC61643-21;
- Pluggable surge protection for DIN mounting;
- Signal transmission is not interrupted when exchanging module
- Limit the transients with gas discharge tubes and diodes;
- Two-stage protection circuit.
- 2 wires protection

Type	DN-24/G	
	24	
In accordance with	IEC 61643-21:2005	
Nominal voltage (Vdc)	Un	24
Max. continuous operating voltage (Vdc/ac)	Uc	28/24
C2 Nominal discharge current(8/20)	In	5kA
C2 Total nominal Discharge Current (8/20us)		25kA
C2 Total impulse Current (10/350us)		5kA
Voltage protection level (V)	L-L@C2 (8/20μs)Up	<55
	L-G@C2 (8/20μs)Up	<500
	L-L@C3 (1KV/μs)Up	<48
	L-G@C3 (1KV/μs)Up	<600
Nominal Current (A)	IL	0.5A
Transmission Speed (bps)		2Mbps
Insertion loss (dB)		≤0.5
Series impedance per line (Ohm)		2.2 Ohm
Protection line		One pair
Mounting		35mm DIN-rail in accordance with EN 50022/DIN46277-3
Type of Connection IN/OUT		screw/screw
Dimensions (mm)		89 X 13 X 59
Operating temperature range		- 40°C ~ + 80°C

Note: Subject to change without any notice.