

Growatt

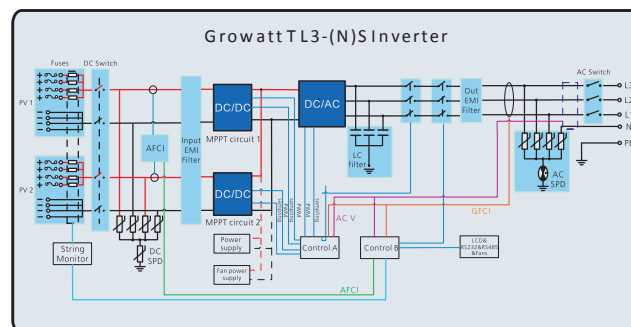
30000TL3-S/33000TL3-S/40000TL3-NS/50000TL3-S



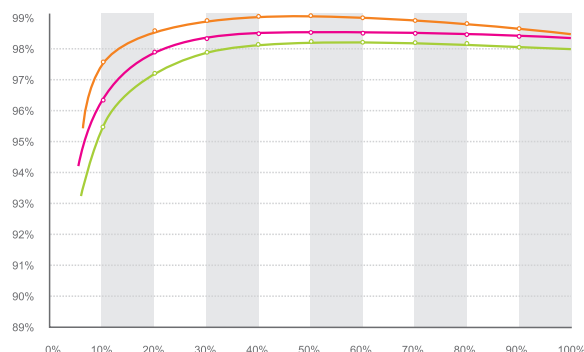
Growatt 30-50kTL3-(N)S 拓撲結構
Growatt 30-50kTL3-(N)S topology

Leading - edge Technology

- ▶ Maximum efficiency of 99%
最高效率99%寬電壓輸入範圍
- ▶ Multi MPP controller and MTL string
多個追蹤控制器和MTL字符串
- ▶ 8 strings intelligent monitoring and Fuse protection
8串智能監控和保險絲保護
- ▶ Internal DC switch and Transformerless
內建直流開關和無變壓器
- ▶ Type II surge arresters for both DC and AC
可用於直流和交流的第II型突波保護器
- ▶ Anti-PID for PV module
光伏模塊防PID
- ▶ Optional AC switch / AFCI function
可選配交流開關/ AFCI功能
- ▶ Supporting AC power supply
支援交流電源
- ▶ Compact design and easy installation
緊密設計 · 安裝方便
- ▶ Comprehensive warranty program
綜合保修程序



Growatt 50000TL3-S 效率曲線
Growatt 50000TL3-S efficiency



輸入數據(直流) Input Data	Growatt 30000TL3-S	Growatt 33000TL3-S	Growatt 40000TL3-NS	Growatt 50000TL3-S
最大直流輸入功率 (用於模塊STC) Max recommended PV Power (for module STC)	37500W	41250W	50000W	60000W
最大直流輸入電壓 Max DC voltage	1000V	1000V	1000V	1000V
啟動電壓 Start Voltage	250V	250V	250V	250V
直流輸入電壓範圍 PV voltage range	200V - 1000V	200V - 1000V	200V - 1000V	200V - 1000V
正常電壓 Nominal voltage	580V	580V	580V	695V
滿載MPP電壓範圍 Full load MPP voltage range	450V - 800V	450V - 800V	540V - 800V	645V - 850V
最大輸入電流 Max. input current	34A/34A	38A / 38A	38A / 38A	38A / 38A
每串最大輸入電流 Max. input current per string	12A	12A	12A	12A
追蹤器數量/ 每追蹤器組串數量 Number of MPP trackers / strings per MPP tracker	2/4	2/4	2/4	2/4
輸出數據(交流) Output (AC)				
額定交流輸出功率 Rated AC output power	30kW	33kW	40kW	48kW
最大交流視在功率 Max. AC apparent power	33.3 kVA	36.6 kVA	44.4 kVA	53.3 kVA
最大交流輸出電流 Max. output current	48.3A	53A	64.5A	64.5A
額定交流輸出電壓 AC nominal voltage	230V/400V	230V/400V	230V/400V	277V/480V
電網頻率 AC grid frequency	50/60Hz	50/60Hz	50/60Hz	50/60Hz
功率因數 Power factor	0.8 leading - 0.8 lagging	0.8 leading - 0.8 lagging	0.8 leading - 0.8 lagging	0.8 leading - 0.8 lagging
諧波 THDi	<3%	<3%	<3%	<3%
交流電網連接類型 AC grid connection type	3W+N+PE	3W+N+PE	3W+N+PE	3W+N+PE/3W+PE
效率 Efficiency				
最大效率 Max. efficiency	98.9%	98.9%	98.9%	99%
歐洲加權效率 Euro - eta	98.4%	98.4%	98.5%	98.5%
MPPT效率 MPPT efficiency	99.5%	99.5%	99.5%	99.5%
設備保護 Protection Devices				
直流反極性保護 DC reverse-polarity protection	yes	yes	yes	yes
每個MPP追蹤器直流開關 DC Switch for each MPPT	yes	yes	yes	yes
交流開關 AC Switctch	opt	opt	opt	opt
直流突波保護 DC Surge protection	Class II	Class II	Class II	Class II
接地故障監控 Ground fault monitoring	yes	yes	yes	yes
短入輸出保護 Output short circuit protection	yes	yes	yes	yes
交流突波保護 AC Surge protection	Class II	Class II	Class II	Class II
保險絲串保護 String Fuse protection	yes	yes	yes	yes
串列故障監測 String fault monitoring	yes	yes	yes	yes
抗PID保護 Anti-PID protection	yes	yes	yes	yes
AFCI(選項) AFCI protection	opt	opt	opt	opt
常規數據 General Data				
尺寸(寬/高/深) Dimensions (W / H / D)	470/754/270 mm	470/754/270 mm	470/754/270 mm	470/754/270 mm
重量 Weight	48kg	48kg	48kg	48kg
運行溫度範圍 Operating temperature range	-25 °C ... +60 °C (with derating above45°C)	-25 °C ... +60 °C (with derating above45°C)	-25 °C ... +60 °C (with derating above45°C)	-25 °C ... +60 °C (with derating above45°C)
噪聲指數(典型) Noise emission (typical)	≤50 dB(A)	≤50 dB(A)	≤50 dB(A)	≤50 dB(A)
夜間自耗電 Self-Consumption (night)	<1W	<1W	<1W	<1W
拓撲結構 Topology	Transformerless	Transformerless	Transformerless	Transformerless
冷卻方式 Cooling concept	Smart cooling	Smart cooling	Smart cooling	Smart cooling
防護等級 Environmental Protection Rating	IP65	IP65	IP65	IP65
海拔高度 Altitude	2000m without derating	2000m without derating	2000m without derating	2000m without derating
相對濕度 Relative Humidity	0~100%	0~100%	0~100%	0~100%
特點 Features				
顯示 Display	Graphic LCD	Graphic LCD	Graphic LCD	Graphic LCD
通訊接口 Interfaces: RS232/R485/WiFi/LAN/GPRS	yes / yes / opt / opt / opt	yes / yes / opt / opt / opt	yes / yes / opt / opt / opt	yes / yes / opt / opt / opt
質保期: 5年/10年 Warranty:5 years / 10 years	yes / opt	yes / opt	yes / opt	yes / opt

認證許可 Certificates and Approvals

CE, IEC 61727, IEC 62116, VDE 0126-1-1, Greece, VFR 2014, CEI 0-21, CEI 0-16, N4105, AS 4777, G59/3, PEA, MEA, IEC 60529, IEC 60068, IEC 61683, EN50438 (Turkey, Ireland, Poland, Switzerland, Norway, Sweden, Denmark)