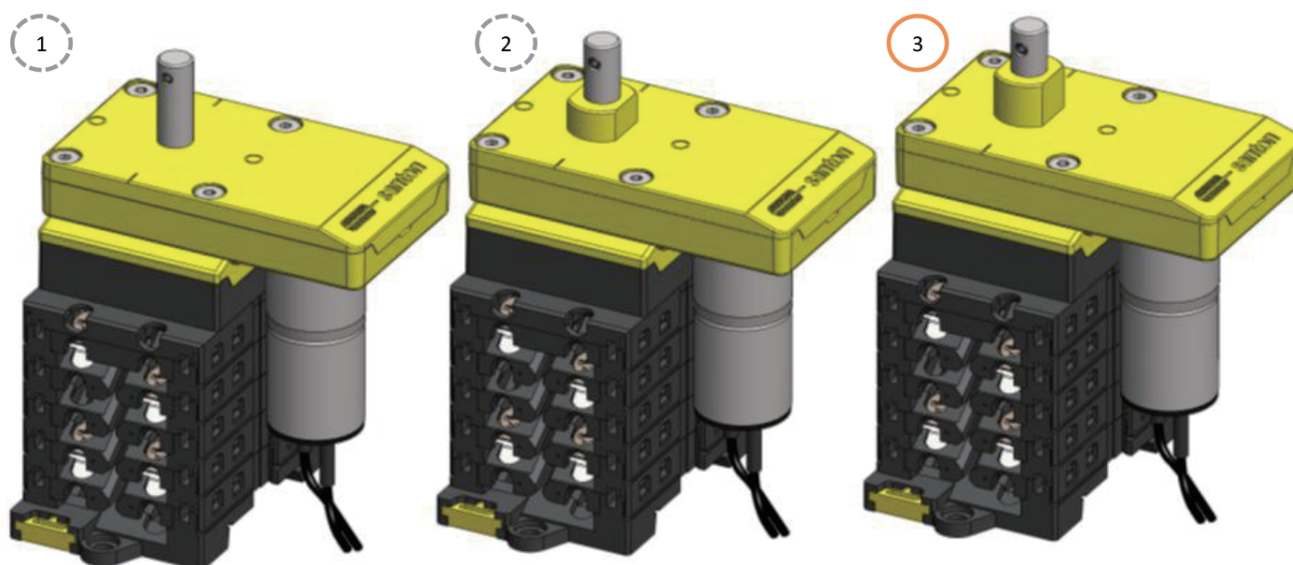


Motor driven switch disconnecter for solar application
IEC 60947-1&3 by Dekra (KEMA) and CCC (CQC)



Technical data - Motor		Symbol	Merit	Unit
rated operational voltage ($\pm 5\%$)		Ue	24	V dc
rated operational current		Ie	0,3	A dc
No load current		I	0,08	A dc
No load speed		V	9,2	rpm
Rated load current		I	0,15	A dc
Rated load speed		V	7,5	rpm
Stall current		I	0,8	A dc
max power dissipation (at stall)		P	19,2	W
Motor terminal type		Solder lips (supplied without wiring)		
IP rating solder lips		IP00		
IP rating solder lips		IP00		
Technical data - Motor driven switch		Symbol	Merit	Unit
method of operation		independent manual operation (90deg) and independent motor driven operation (clockwise (CW) or counter clockwise (CCW))		
positions		OFF at 3 hr, ON at 6 hr, OFF at 9 hr, ON at 12 hr		
Accessoires		(1)	IP 65 gasket	
		(2) & (3)	IP 65 gasket & M16 Nut	
ambient temperature allowed between			- 40 to + 70	°C
storage temperature allowed between			- 40 to + 80	°C
maximum relative humidity, without condensation at 20°C			90	%
Number of mechanical operations (ON & OFF)	According to IEC60947-3		10000	cycles
	According to Factory tests		15000	cycles
Mounting method(s)		Dimensions	X	
Bottom mounting or Panel mounting (four holes)		(1)	0	mm
Panel mounting (single hole), panel thickness 1-3mm		(2)	8,5	mm
Panel mounting (single hole), panel thickness 3-7mm		(3)	12	mm

Instructions for usage

The manual operation of the switch is **only** in 90 degree angle from each switch position.

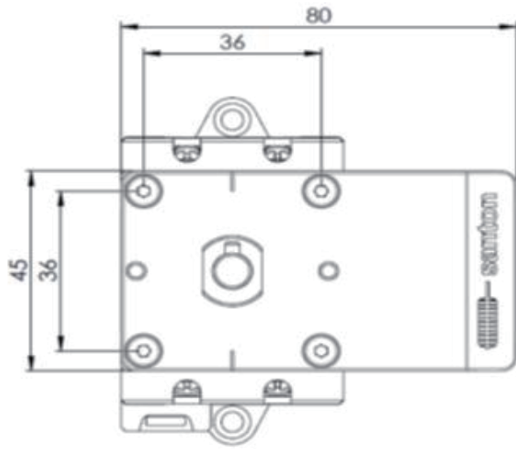
The direction of rotation is depending the motor direction, this means motor direction clockwise will result in manual direction clockwise from 9 o'clock to 12 o'clock and from 12 o'clock back to 9 o'clock. Otherwise this means motor direction counter clockwise will result in manual direction counter clockwise from 3 o'clock to 12 o'clock and from 12 o'clock back to 3 o'clock. See also below scheme for explanation.

- **Do not** force the manual operation with more than 1.5Nm.

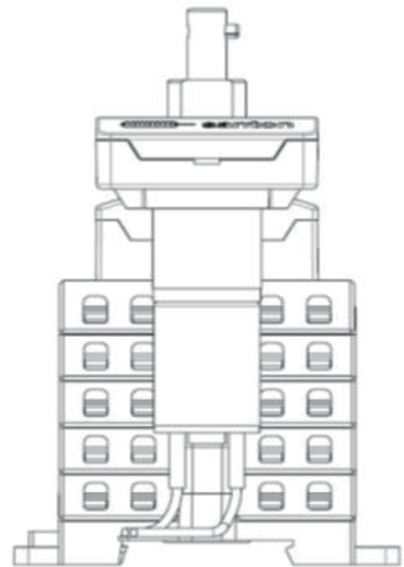
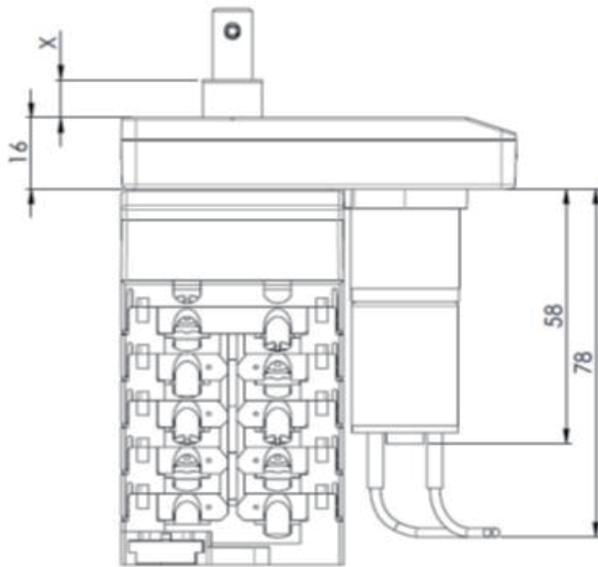
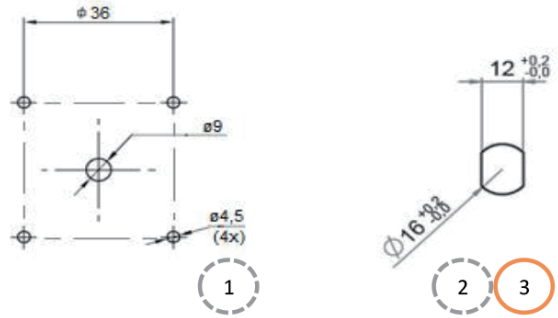
- **Do not** block the manual operation during motor movement. This will damage the motor.

The technical details and connections for the X-type switch can be found in the datasheet/manual of the switch. The X-type switch will be equipped with an Auxilairy contact that needs to be used for the motor control wiring, see wiring example.

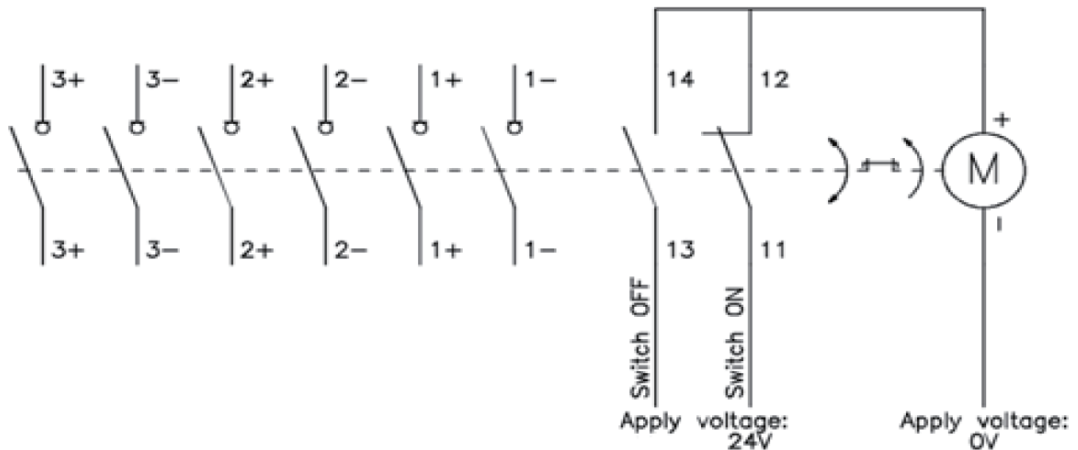
Dimensioning



Panel mounted switches - Panel cut out



Wiring example



Dimensions, specifications and data shown could be subject to change without notice.