

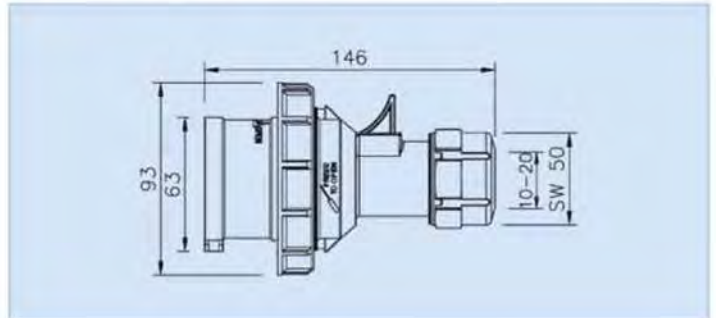
- enclosure in PC/ABS version
- nickel-plated contacts
- container wall-mounted socket outlets with window for 5 modules (cap installation size 45 mm)
- mechanical locking: after insertion and switching on, the **plug is locked** after switching off and removing the plug, **the switch is locked**
- all components are mounted on the base
- large connection space
- wiring can be looped through
- wired
- can be locked with a padlock when switched off (40 mm)
- other configuration (switch below, window above) upon request

For an exact description, see "Switched interlocked wall-mounted socket outlets" from page 80.



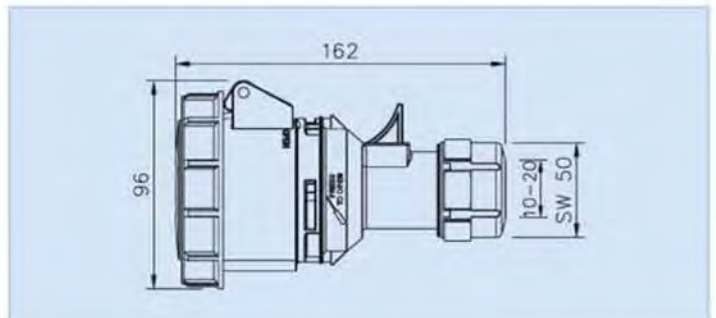
- Container plug**  
watertight IP67
- screw terminals
  - quick release locking system (turn2fix)
  - 32A 4p 3h 440V
  - nickel-plated contacts

Packing unit: 10 pieces  
**Article no. S42V05**



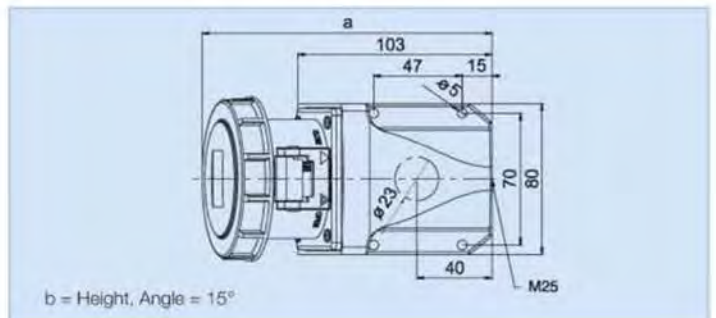
- Container connector**  
watertight IP67
- screw terminals
  - quick release locking system (turn2fix)
  - 32A 4p 3h 440V
  - nickel-plated contacts

Packing unit: 10 pieces  
**Article no. K42V05**



- Container wall-mounted socket outlet**  
watertight IP67
- screw terminals
  - quick release locking system (turn2fix)
  - 32A 4p 3h 440V
  - nickel-plated contacts

Packing unit: 5 pieces  
**Article no. D42V05**

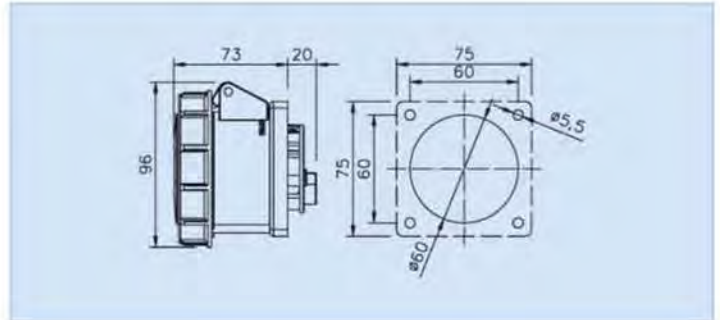




**Container panel-mounted socket outlet, straight**  
watertight IP67

- screw terminals
- quick release locking system (turn2fix)
- 32A 4p 3h 440V
- nickel-plated contacts

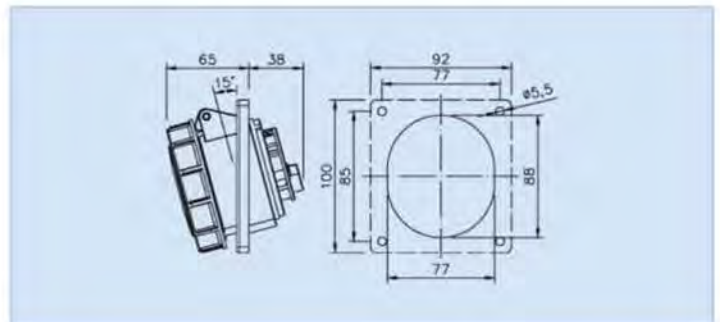
Packing unit: 10 pieces  
**Article no.** F42V050



**Container panel-mounted socket outlet, angled**  
watertight IP67

- screw terminals
- quick release locking system (turn2fix)
- 32A 4p 3h 440V

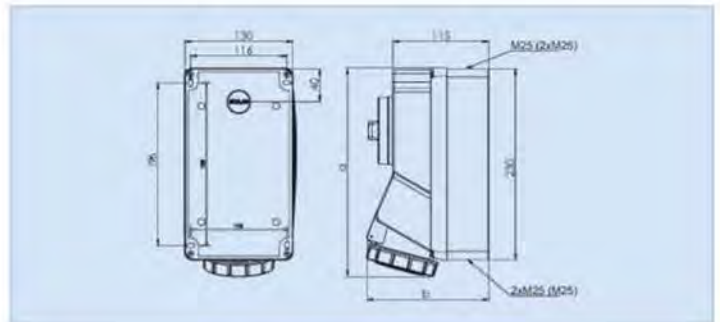
Packing unit: 10 pieces  
**Article no.** F42V070



**Container wall-mounted socket outlet**  
watertight IP67

- 32A 4p 3h 440V
- nickel-plated contacts
- up to 3 x M25
- with mechanical locking
- lockable with padlock

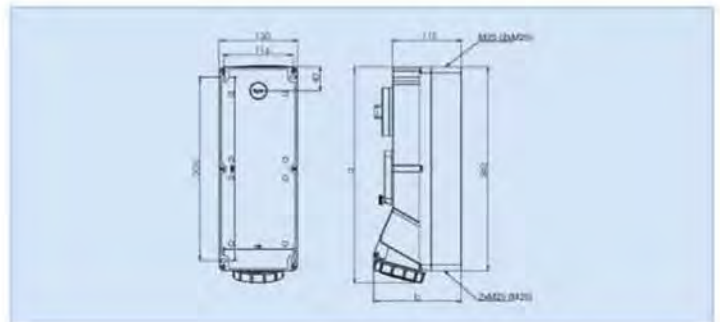
Packing unit: 1 piece  
**Article no.** C42S052



**Container wall-mounted socket outlet**  
watertight IP67

- 32A 4p 3h 440V
- nickel-plated contacts
- with fuse element D02-3p 440V
- up to 3 x M25
- with mechanical locking
- lockable with padlock

Packing unit: 1 piece  
**Article no.** C42S070



**Container wall-mounted socket outlet**  
watertight IP67

- 32A 4p 3h 440V
- with mechanical locking
- lockable with padlock

Packing unit: 1 piece  
**Article no.** C42S051

