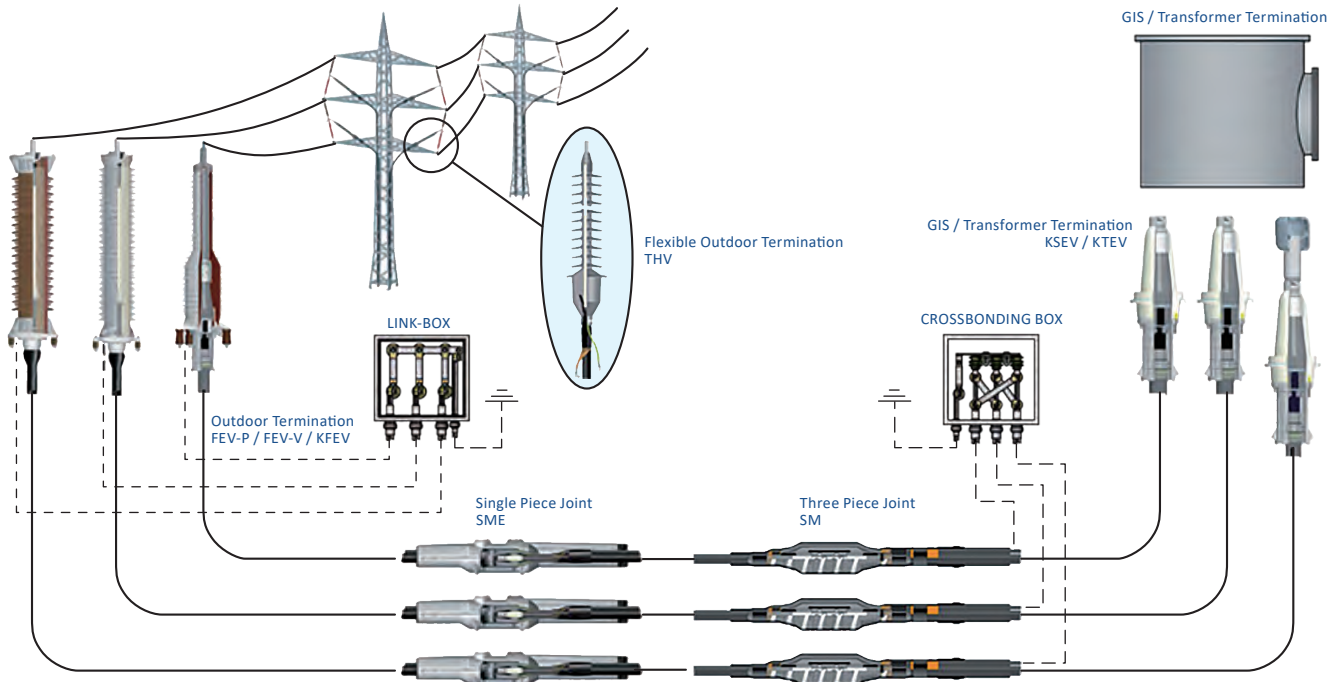


Power Transmission Line XLPE Cable Accessories



Product Scope

Besides the accessories for XLPE insulated cables, produces and installs

accessoires for paper insulated high voltage cables, e.g. for re-routing, repair and renovation.

U_m /kV	72.5	123	145	170	245	300	420	550
Outdoor Termination	X/O/D/P	X/O/D/P	X/O/D/P	X/D	X/D	X	X	X
Switchgear Termination	X/O/D/P	X/O/D/P	X/O/D/P	X/D	X/D	X	X	X
Transformer Termination	X/O/D/P	X/O/D/P	X/O/D/P	X/D	X/D	X	X	X
Straight joint	X/O/D/P	X/O/D/P	X/O/D/P	X/O	X	X	X	X
Stop joint	O	O	O	-	-	-	-	-
Transition joint	X/O/P	X/O/P	X/O/P	X/O	-	-	-	-

X – for XLPE cable O – for oil filled cable D – dry type for XLPE cable P – for gas pressure cable

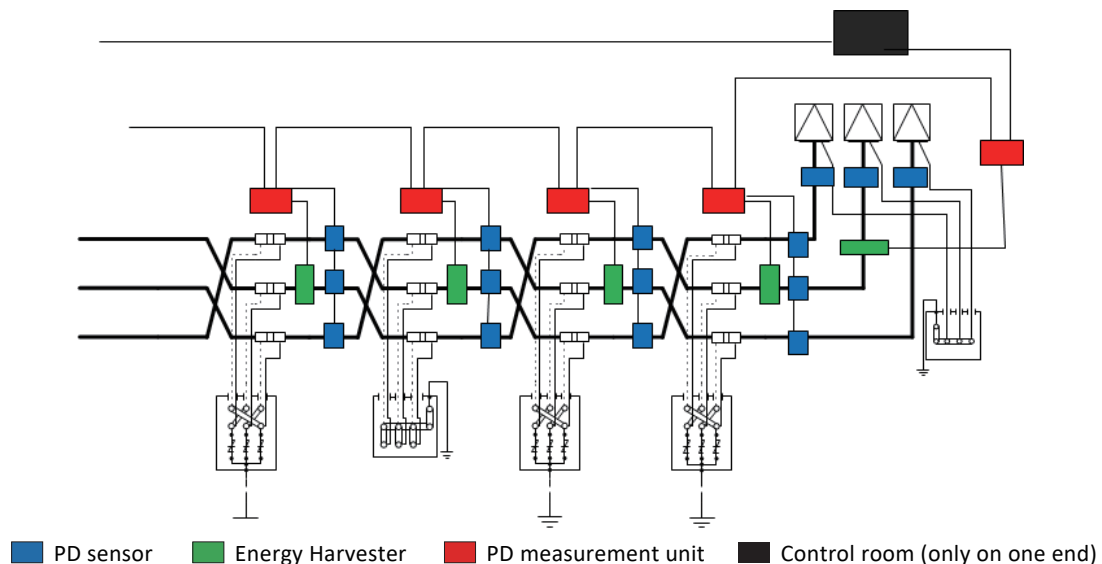


Fig.2b: Example of layout of the PD monitoring system. Daisy Chain Version