

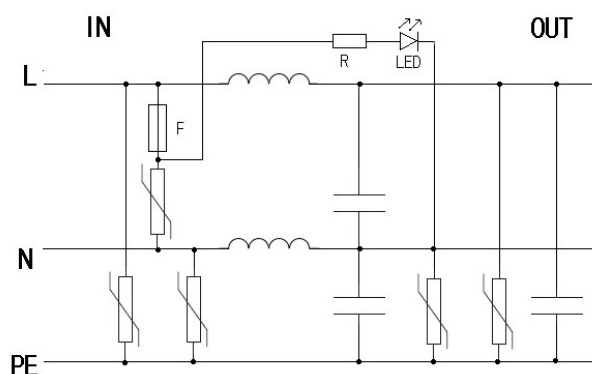
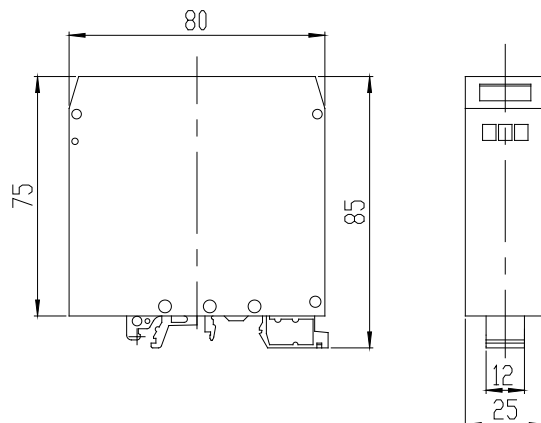
Single Phase Surge Protection Devices

TYPE: D1-20/180-S

Surge arrester for low-voltage power supply system protection against surges at the boundaries from lightning protection zone 0B-2 and higher.

Terminal Block Modules series

- Class III (D) arrester in according with IEC61643-1. ANSI/IEEE C62.41-1991 Standard.
- Series type SPD
- Single phase protection.
- High energy MOV (Metal Oxide Varistor) inside.
- Interference suppressor filter inside
- Low voltage protection level
- Failure indication by LED.
- Fast response.



Technical Data

Type	D1-20/180-S	
In accordance with	IEC61643-1. ANSI/IEEE C62.41-1991	
Category IEC/VDE	III/ D	
Nominal Voltage Un	110V (single phase)	
Modes of protection	All mode protection	
Max. continuous operating voltage	180VAC	
Max. Surge Current Capability	20KA/Phase	
Max. discharge current(8/20) Imax	L-N	10KA
	L-PE	10KA
	N-PE	10KA
Voltage protection level(clamping voltage)@ In	800V	
Response time	≤25 ns	
Follow current	No	
Load current	5 A	
EMI/RFI filter	-3dB@25KHz	
Operating temperature range	- 40° C ... + 80° C	
Cross-section of connection wire	multi-strand 1.3- 2.5mm ²	
Mounting	35mm DIN-rail in accordance with EN 50022/DIN46277-3	
Enclosure material	thermoplastic; extinguishing degree UL94 V-0	
Degree of protection	IP20	
Dimension	80(L)×25(W)×85(H)mm	
Failure indicator	LED Alarm, Green - Normal, IED off - fail	