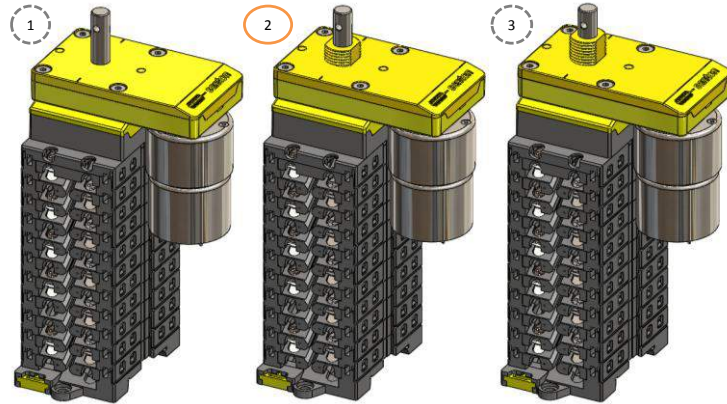


Motor driven switch disconnecter for solar application
UL 508i by UL



Technical data – Motor	Symbol	Merit	Unit
rated operational voltage ($\pm 5\%$)	Ue		24 V dc
rated operational current	Ie		0,3 A dc
No load current	I		0,08 A dc
No load speed	V		5,3 rpm
Rated load current	I		0,2 A dc
Rated load speed	V		4,2 rpm
Stall current	I		0,8 A dc
max power dissipation (at stall)	P		19,2 W
Motor terminal type	Solder lips (supplied without wiring)		
IP rating solder lips	IP00		
Technical data – Motor driven switch	Symbol	Merit	Unit
method of operation	independent manual operation (90deg) and independent motor driven operation (clockwise (CW) or counter clockwise (CCW))		
positions	OFF at 3 hr, ON at 6 hr, OFF at 9 hr, ON at 12 hr		
Accessories	(1)	IP 65 gasket	
	(2) & (3)	IP 65 gasket & M16 Nut	
ambient temperature allowed between	- 40 to + 70 °C		
storage temperature allowed between	- 40 to + 80 °C		
maximum relative humidity, without condensation at 20 °C	90 %		
number of mechanical operations (on & off) operated by integrated motor according to IEC60947-3	10000 cycles		
according to factory test (on & off) at room temperature (20°C)	15000 cycles		
Mounting method(s)	Dimensions	X	
Bottom mounting or Panel mounting (four holes)	(1)	0 mm	
Panel mounting (single hole), panel thickness 1-3mm	(2)	8,5 mm	
Panel mounting (single hole), panel thickness 3-7mm	(3)	12 mm	

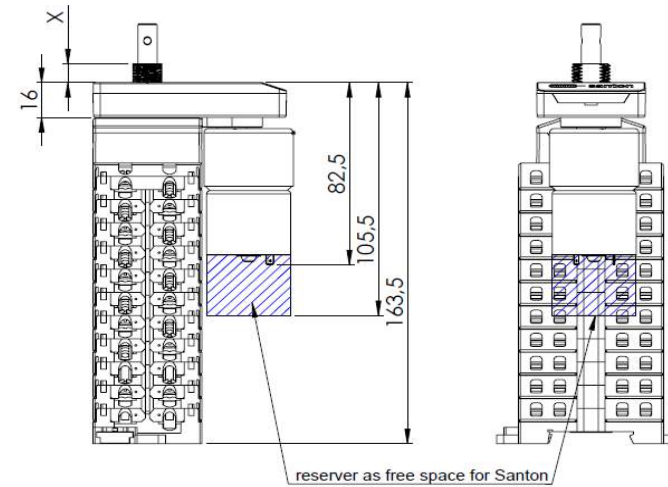
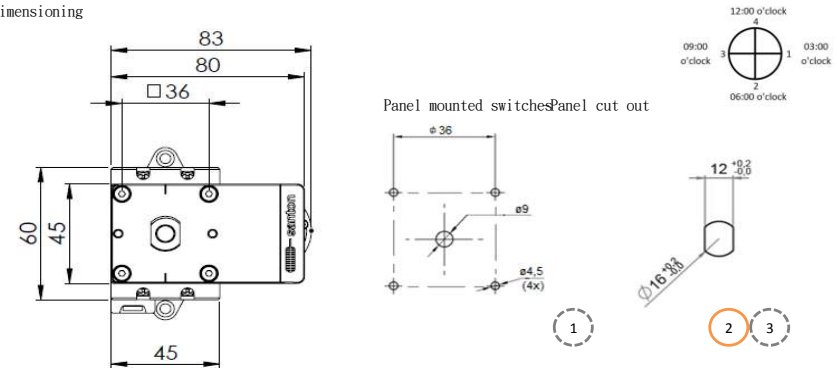
Instructions for usage

The manual operation of the switch is only in 90 degree angle from each switch position.
The direction of rotation is depending the motor direction, this means motor direction clockwise will result in manual direction clockwise from 9 o'clock to 12 o'clock and from 12 o'clock back to 9 o'clock. Otherwise this means motor direction counter clockwise will result in manual direction counter clockwise from 3 o'clock to 12 o'clock and from 12 o'clock back to 3 o'clock. See also below scheme for explanation.

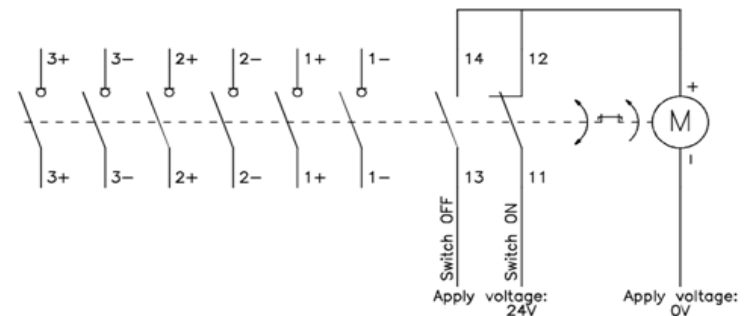
- Do not force the manual operation with more than 1.5Nm.
- Do not block the manual operation during motor movement. This will damage the motor or the gear wheels.

The technical details and connections for the X-type switch can be found in the datasheet/manual of the switch. The X-type switch will be equipped with an Auxiliary contact that needs to be used for the motor control wiring, see wiring example.
The connections of the motor are solder lips. The + and - pole of the motor are indicated next to the solder lips.

Dimensioning



Wiring example



Dimensions, specifications and data shown could be subject to change without notice.