

Growatt

MAX 60KTL3 MV / 70KTL3 MV / 80KTL3 MV

Leading - edge Technology

Excellent Performance 性能優越

- ▶ Power rating up to 80kW
額定功率高達80kW
- ▶ Max. efficiency up to 99%
最大效率為99%
- ▶ 6 MPPTs, fits to hilly ground or larger rooftop
6路MPPT · 適用複雜場景 · 降低失配損失

Smart 智能友好

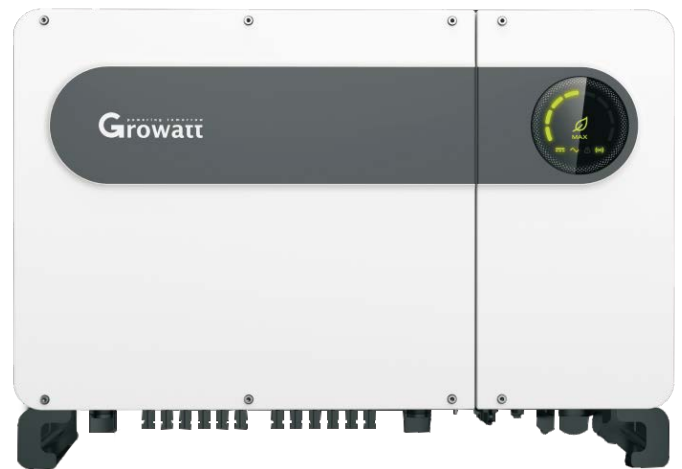
- ▶ DC and AC power supply, 24h monitoring
直交流雙供電 · 24小時實時監控
- ▶ Smart string I-V diagnosis, active string problem detective
智慧型I/V曲線掃描 · 主動識別組串發電異常

Safe&Reliable 安全可靠

- ▶ Type II surge arrester for both DC and AC
內建交直流二級防雷 · 全方位防雷保護
- ▶ Anti-PID and AFCI function optional
整合Anti-PID及選配AFCI功能
- ▶ Ip65 protection degree
Ip65防護等級

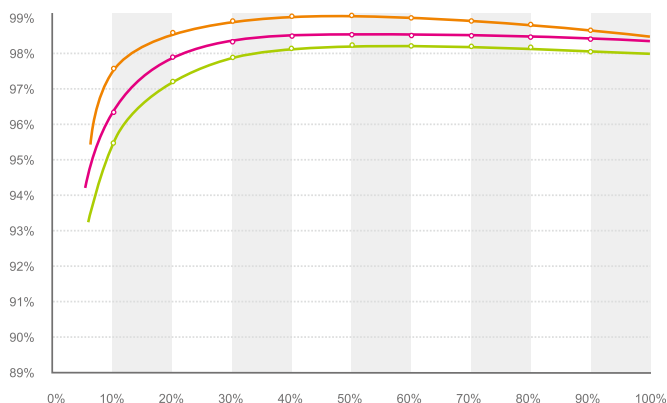
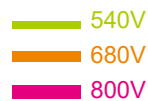
Easy Maintenance 維護便捷

- ▶ 12 strings intelligent monitoring, and fast trouble-shooting
高精度12迴路組串監控 · 減少故障定位時間
- ▶ local and remote smart maintenance, save time and cost
本地和遠端智慧型運維 · 節約運維成本



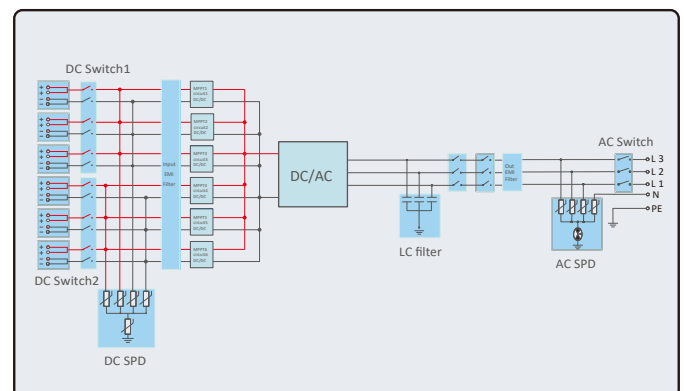
MAX 80KTL3 MV 效率曲線

MAX 80KTL3 MV efficiency



MAX 60-80KTL3 MV 拓撲結構

MAX 60-80KTL3 MV topology



輸入數據(直流) Input Data

	Growatt MAX 60KTL3 MV	Growatt MAX 70KTL3 MV	Growatt MAX 80KTL3 MV
最大直流輸入功率 Max.DC power	78000W	91000W	104000W
最大直流輸入電壓 Max.DC voltage	1100V	1100V	1100V
啟動電壓 Start Voltage	250V	250V	250V
標稱電壓 Nominal voltage	700V	700V	700V
MPPT電壓範圍 MPPT voltage range	200V-1000V	200V-1000V	200V-1000V
滿載MPP電壓範圍 Full load DC voltage range	520V-850V	600V-850V	685V-850V
各MPPT最大輸入電流 Max. input current per MPPT	22A	22A	22A
MPPT路數 Strings per MPPT	2	2	2
追蹤器數量/每追蹤器併數 Number of MPP trackers / strings per MPP tracker	6/2	6/2	6/2

輸出數據(交流) Output (AC)

額定交流輸出功率 Rated AC output power	60000W	70000W	80000W
最大交流視在功率 Max. AC apparent power	66600VA	77700VA	88800VA
最大交流輸出電流 Max. output current	80.2A	93.6A	107A
額定交流輸出電壓/範圍 AC nominal voltage / range	277V/480V	277V/480V	277V/480V
交流電網頻率/範圍 AC grid frequency / range	50/60 Hz	50/60 Hz	50/60 Hz
功率因數 (cosφ) Power factor	0.8 leading ... 0.8 lagging	0.8 leading ... 0.8 lagging	0.8 leading ... 0.8 lagging
諧波 THDi	<3%	<3%	<3%
交流電網連接類型 AC grid connection type	3W+PE	3W+PE	3W+PE

效率 Efficiency

最大效率 Max. efficiency	99.0%	99.0%	99.0%
歐洲加權效率 Euro - eta	98.5%	98.5%	98.5%
MPPT效率 MPPT efficiency	99.9%	99.9%	99.9%

設備保護 Protection Devices

直流極性反接保護 DC reverse polarity protection	yes	yes	yes
直流輸入開關 DC Switch	yes	yes	yes
直流浪湧保護 DC Surge protection	Type II	Type II	Type II
絕緣阻抗檢測 Ground fault monitoring	yes	yes	yes
輸出過流保護 Output short circuit protection	yes	yes	yes
交流輸出過壓保護 - 壓敏電阻 AC Surge protection	Type II	Type II	Type II
串聯保險絲類型/尺寸(選件) String fault monitoring	yes	yes	yes
串聯保險絲類型/尺寸(選件) Anti-PID protection	opt	opt	opt
AFCI(選件) AFCI protection	opt	opt	opt

常規數據 General Data

尺寸 (寬/高/厚) mm Dimensions (W / H / D) in mm	860/600/300	860/600/300	860/600/300
重量 Weight	82kg	82kg	82kg
運行溫度範圍 Operating temperature range	-25°C ... +60°C	-25°C ... +60°C	-25°C ... +60°C
噪聲指數(典型) Noise emission (typical)	≤55dB(A)	≤55dB(A)	≤55dB(A)
夜間自耗電 Self-Consumption(night)	< 1W*	< 1W*	< 1W*
拓撲結構 Topology	Transformerless	Transformerless	Transformerless
冷卻方式 Cooling concept	Smart fan cooling	Smart fan cooling	Smart fan cooling
環境防護等級 Environmental Protection Rating	IP65	IP65	IP65
海拔高度 Altitude	4000m	4000m	4000m
相對濕度 Relative Humidity	0-100%	0-100%	0-100%

特點 Features

顯示 Display	LED / WIFI+APP	LED / WIFI+APP	LED / WIFI+APP
通訊介面: USB/RS485/GPRS Interfaces: USB/R485/GPRS	yes / yes / opt	yes / yes / opt	yes / yes / opt
質保期: 5年/10年 Warranty: 5years / 10years	yes / opt	yes / opt	yes / opt

認證許可 Certificates and Approvals

CQC, CE, VDE 0126-1-1, VDE-AR-N4105, EN50438, IEC 62116, IEC61727, AS 4777