

DC-Load break switch Model S5000 – 1250A 1000V DC21B



Assemble as per 4027Z047

Standards. IEC 60947-1 & 3
Quality Telergon, S.A.U.

ISO 9001 & 14001



Testing as per IEC 60947-3. Approvals

Austrian Institute of
Technology



Electrical data (according to IEC 60947-3)

Thermal current I_{th} (-30 to 40 °C) **1250A**

Rated insulation voltage U_i (V) 1500
Rated impulse withstand voltage U_{imp} (kV) 12

DC Rated operational current I_e (A)

Voltage (DC)	Category of operation	I _e
400 V	DC21B	1250
600 V	DC21B	1250
800 V	DC21B	1250
900 V	DC21B	1250
1000 V	DC21B	1250

** Please consult for other voltages and/or category of operation

Short-circuit behaviour

Short-circuit making capacity (peak value)	I _{cm}	60kA
Short-time withstand current (1 sec) (rms)	I _{cw}	25kA
Conditional short-circuit current (rms value)		
Maximum cut-off current (peak value)		kA

Connection capacity

Bar (Thickness / Width) (mm)	2x10/50
Rigid cable (mm ²)	2x10/50
Max. Connecting copper bar (mm)	50
Tightening torque (N·m)	45

Mechanical data

Minimum number of operations (as per standard) without load	10000
Maximum weight (4 pole molded case) (kg)	7,6

Codes

Case size (A)	Poles	Code	Code for direct handle
Size 3	4P	S5-12502EC0	DS-LI31

Accessories

Panel handle	DS-LA31
Bridging links	DS-PI3D

Links with heat sinks (2 units)

IMPORTANT: These links with heat sinks MUST be used to guarantee the required performance (Dimensions 1&2)

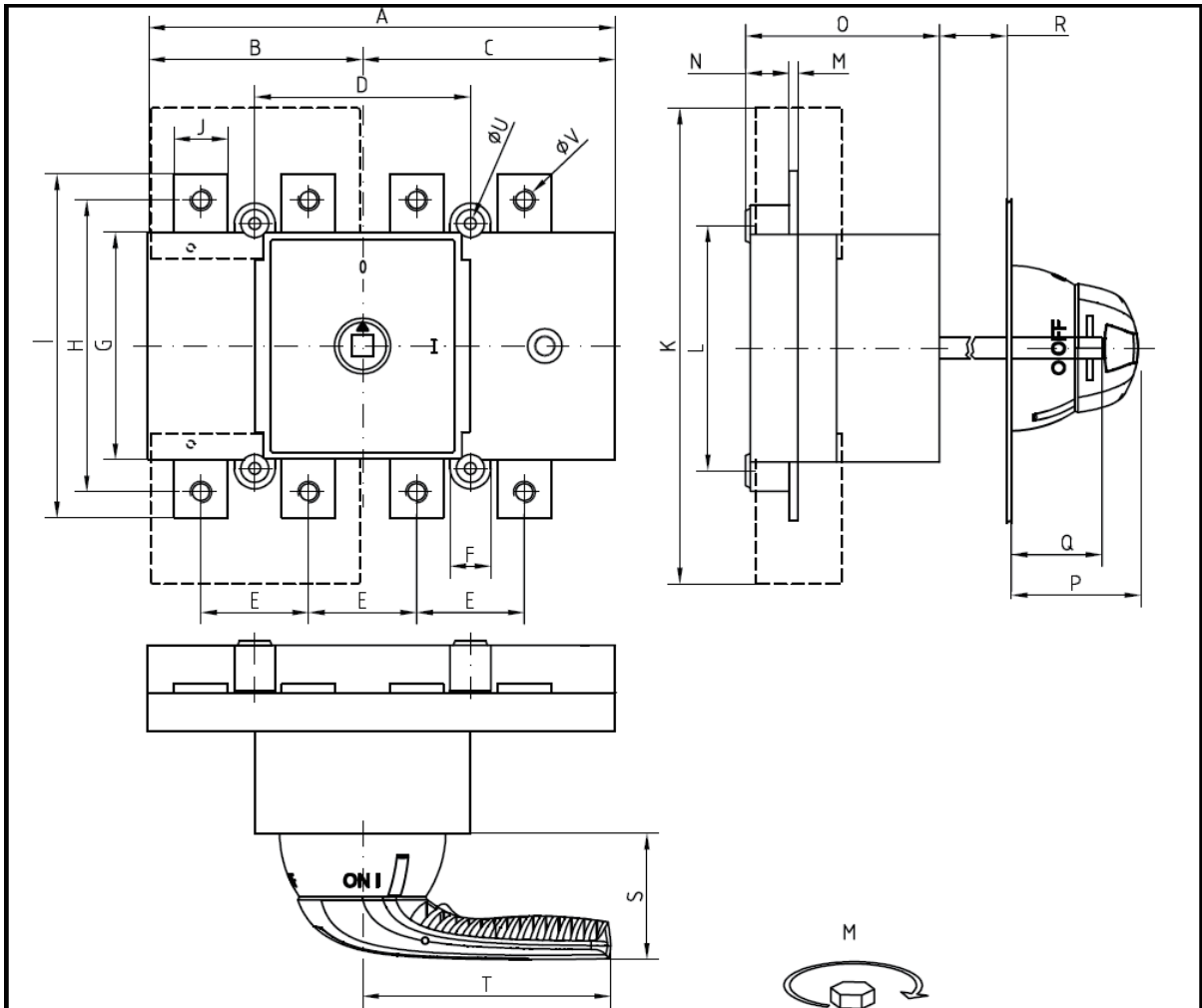
Protective plate	N/A
Auxiliary contact	D5LAU01



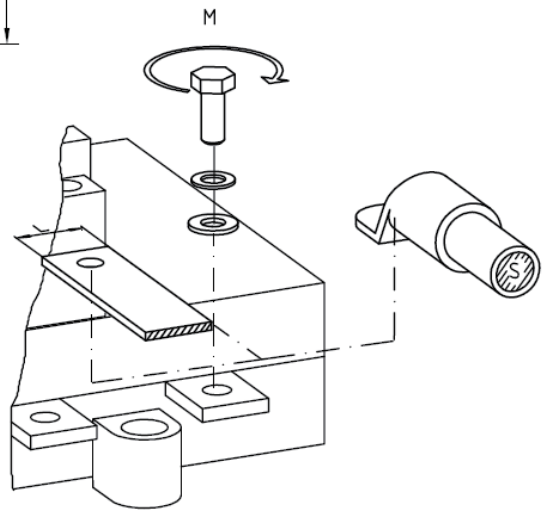
DC Switch-Disconnecter
S5-02004PRO

JDA JD Auspice Co., Ltd.

Note: Subject to change without any notice.



Referencia interruptor Switch Reference Référence Interrupteur	Referencia Accesorios Accessories Reference Référence Accessoires
S5-08002ERO S5-10002ECO S5-12502ECO	Mando / Handle Poignée DS-LI31 DS-LA31 Puentes / Bridging links Barres de pontage DS-PI3D
Un interruptor debe ser completado con sus correspondientes accesorios en función del tipo de mando y del conexionado. INTERRUPTOR + MANDO + PUENTES	
A switch must be completed with its corresponding hardware depending on the type of handle and wiring diagram. SWITCH + HANDLE + BRIDGING LINKS	
Un interrupteur doit être complété avec les accessoires correspondant selon le type de poignée et le schéma de câblage. INTERRUPTEUR + POIGNÉE + BARRES DE PONTAGE	



800A			1000A			1250A															
A	B	C	D	E	F	G	H	I	J	K											
mm.	in.	mm.	in.	mm.	in.	mm.	in.	mm.	in.	mm.	in.	mm.	in.	mm.	in.	mm.	in.	mm.	in.		
325	12.8	150	5.91	175	6.89	140	5.51	75	2.95	30	1.18	190	7.48	250	9.84	290	11.42	40	1.57	340	13.39
L	M	N	O	P	Q	R min.	R max.	S	T	ØU											
mm.	in.	mm.	in.	mm.	in.	mm.	in.	mm.	in.	mm.	in.	mm.	in.	mm.	in.	mm.	in.	mm.	in.		
190	7.48	8	0.31	39	1.54	137	5.39	60	2.36	42	1.65	18	0.71	108	4.25	73.5	2.89	176	6.93	9	0.35

JDA JD Auspice Co., Ltd. S-5000.3

4027Z047

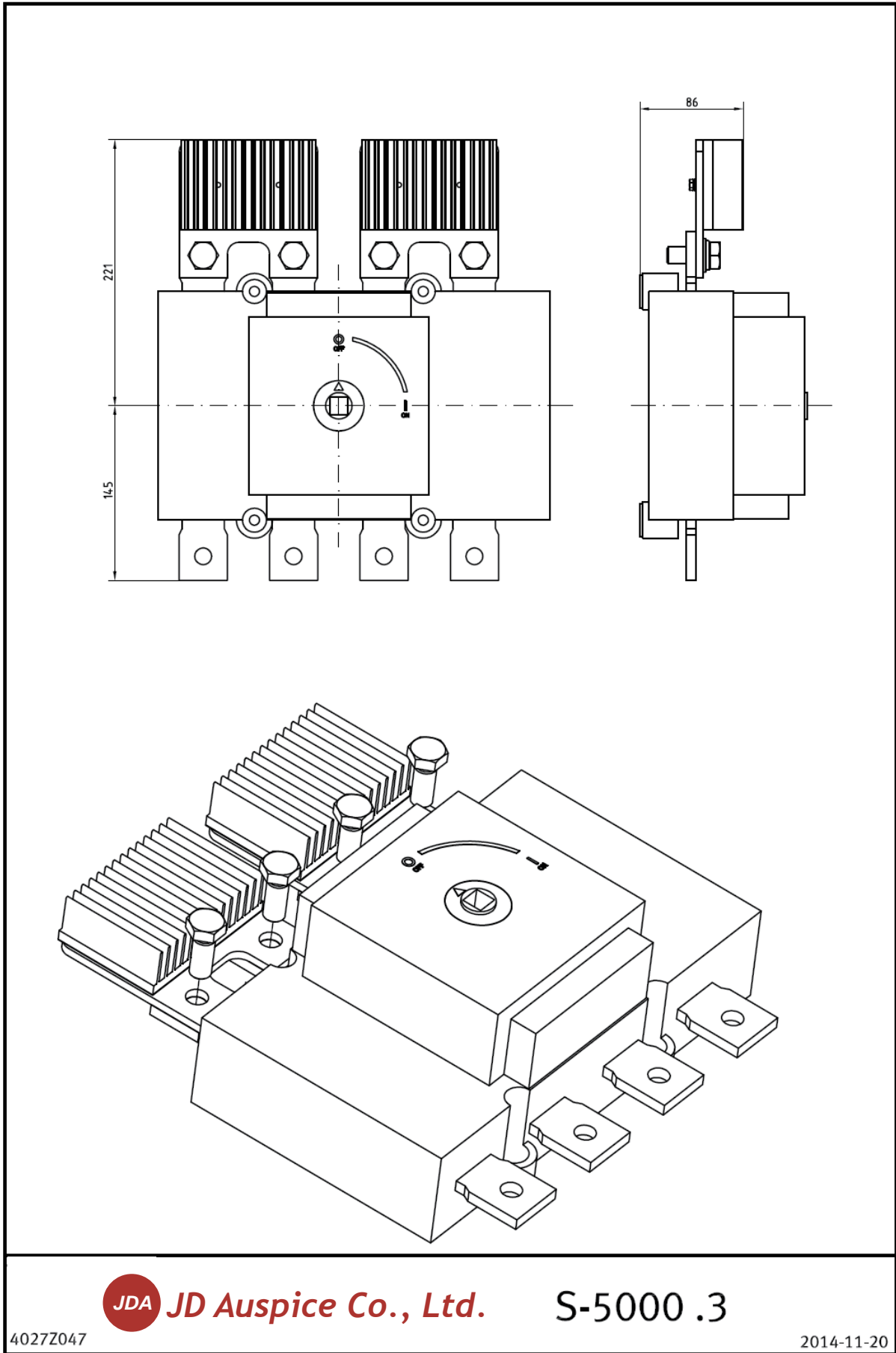
2014-11-20



DC Switch-Disconnecter
S5-0204PR0

JDA JD Auspice Co., Ltd.

Note: Subject to change without any notice.



JDA JD Auspice Co., Ltd.

S-5000.3

4027Z047

2014-11-20



DC Switch-Disconnecter
S5-02004PR0

JDA JD Auspice Co., Ltd.

Note: Subject to change without any notice.