

DC-Load break switch Model S5000 – 250A 1000V DC21B



** Photo sample. Similar size and design, but different rating.
New handle.

Standards. IEC 60947-1 & 3

Quality Telergon, S.A.U.

ISO 9001 & 14001



Testing as per IEC 60947-3. Approvals

Austrian Institute of
Technology



Electrical data (according to IEC 60947-3)

Thermal current I _{th} (-30 to 50 °C)	315 A
--	-------

Rated insulation voltage U _i (V)	1000
---	------

Rated impulse withstand voltage U _{imp} (kV)	8
---	---

DC Rated operational current I_e (A)

Voltage (DC)	Category of operation	I _e
--------------	-----------------------	----------------

400 V	DC 21B	315
-------	--------	-----

600 V	DC 21B	315
-------	--------	-----

800 V	DC 21B	280
-------	--------	-----

900 V	DC 21B	260
-------	--------	-----

1000 V	DC 21B	250
--------	--------	-----

** Please consult for other voltages and/or category of operation

Short-circuit behaviour

Short-circuit making capacity (peak value)	I _{cm}	20kA
--	-----------------	------

Short-time withstand current (1 sec) (rms)	I _{cw}	12kA
--	-----------------	------

Conditional short-circuit current (rms value)	100kA
---	-------

Maximum cut-off current (peak value)	33kA
--------------------------------------	------

Connection capacity

Bar (Thickness / Width) (mm)	7/25
------------------------------	------

Rigid cable (mm ²)	185
--------------------------------	-----

Max. Connecting copper bar (mm)	25
---------------------------------	----

Tightening torque (N·m)	18
-------------------------	----

Mechanical data

Minimum number of operations (as per standard) without load	20000
---	-------

Maximum weight (4 pole molded case) (kg)	1,9
--	-----

Codes

Case size (A)	Poles	Code	Code for direct handle
Size 1	4P	S5-03154PRO	DS-SI11

Accessories

Panel handle	DS-SA11
--------------	---------

Bridging links	DS-PI11
----------------	---------

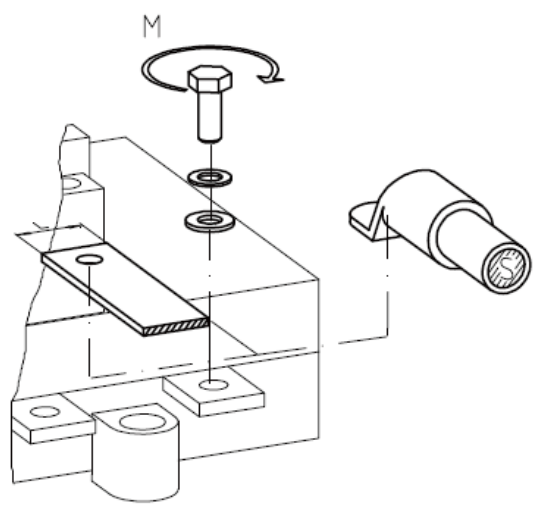
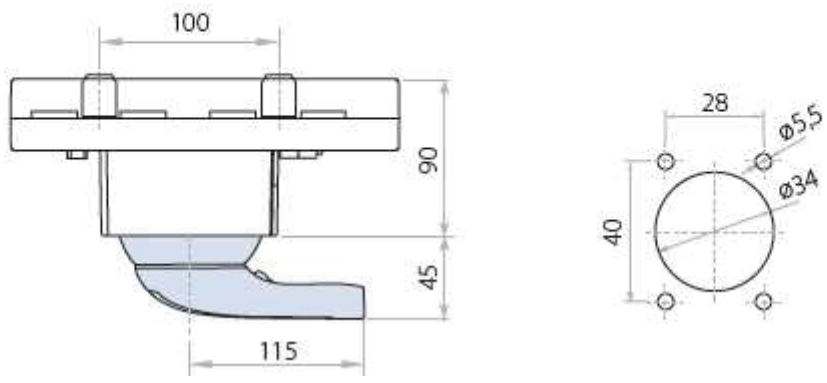
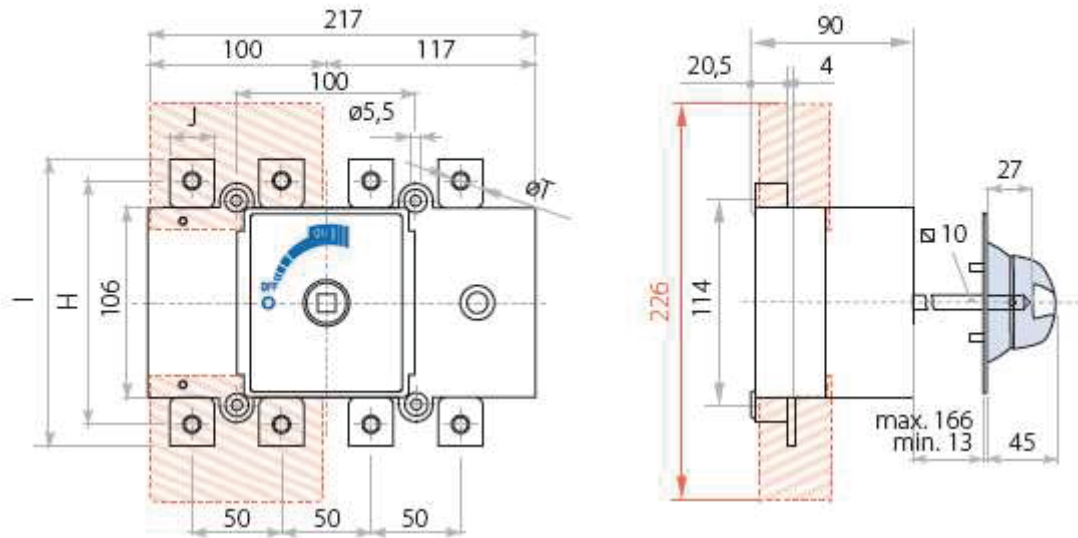
Protective plate	DS-CU12
------------------	---------

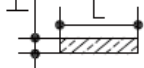
Auxiliary contact	D5LAU01
-------------------	---------



DC Switch-Disconnecter
S5-03154PRO

JDA JD Auspice Co., Ltd.



S5000	I _{th}	H	I	J	φT	M N×m	S max. (Cu) mm ²		
								H max. (Cu) mm	L max. (Cu) mm
1	315A	143	167	25	M10	18	185	7	25

DC-Load break switch Model S6000 – 400A 1000V DC21B



** Photo sample. Similar size and design. New handle.

Standards. IEC 60947-1 & 3

Quality Telergon, S.A.U.

ISO 9001 & 14001



Testing as per IEC 60947-3. Approvals



Electrical data (manufactured according to IEC 60947-3)

Thermal current I _{th} (-30 to 50 °C)	400A
--	------

Rated insulation voltage U _i (V)	1500
Rated impulse withstand voltage U _{imp} (kV)	12

DC Rated operational current I _e (A)		I _e
Voltage (DC)	Category of operation	
1000 V	DC 21B	400

** Please consult for other voltages and/or category of operation

Short-circuit behaviour

Short-circuit making capacity (peak value)	I _{cm}	20kA
Short-time withstand current (1 sec) (rms)	I _{cw}	12kA

Connection capacity

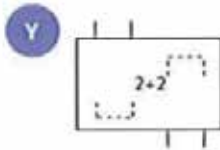
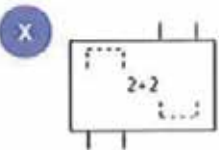
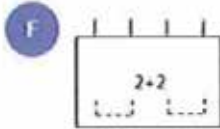
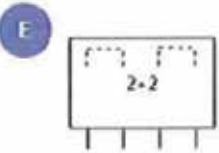
Bar (Thickness / Width) (mm)	7/35
Rigid cable (mm ²)	240
Max. Connecting copper bar (mm)	35
Tightening torque (N·m)	18

Mechanical data

Minimum number of operations (as per standard) without load	20000
Maximum weight (4 pole molded case) (kg)	2,14

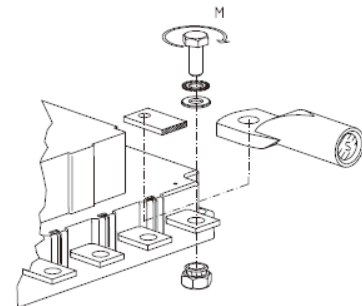
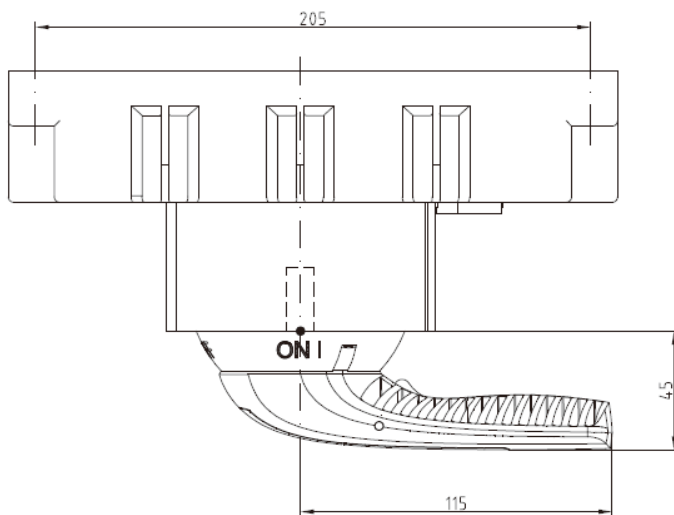
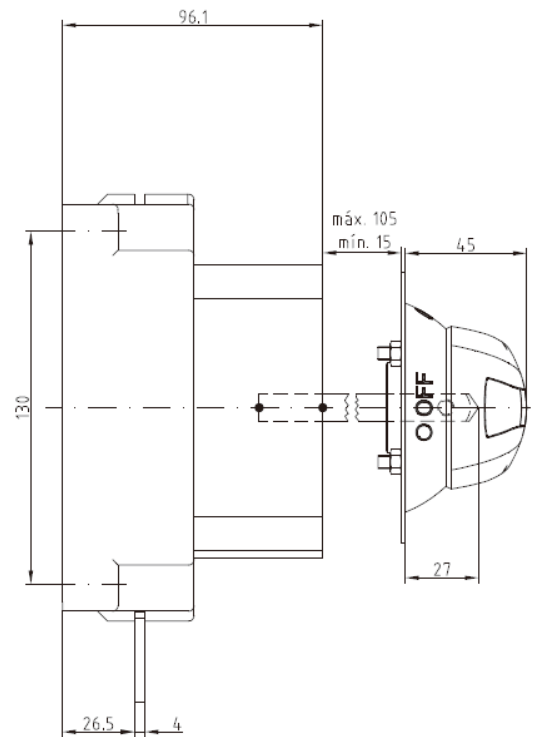
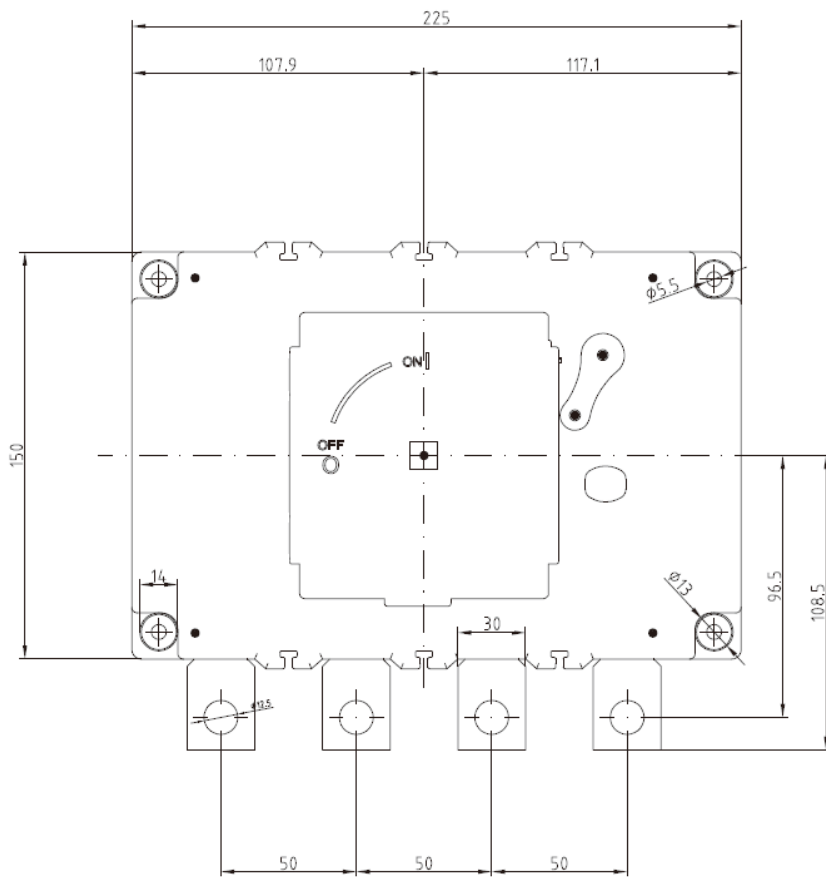
Codes

Configuration	Poles	Code	Accessories	Reference
Type E	2	S6-04002ED0	Panel Handle	DS-SA11
Type F	2	S6-04002FD0	Direct handle	DA-SI11
Type X	2	S6-04002XD0	Spacers	DR-EL11
Type Y	2	S6-04002YD0	Phase barriers	DR-SF11
			Aux. contacts	D5LAU01
			Protective plate	DR-CU13



DC Switch-Disconnecter
S5-03154PRO

JDA JD Auspice Co., Ltd.



IEC	Ith	S max (Cu)		H max (Cu) L max (Cu)			M	M			
		mm ²	in ²	mm	in	mm		in	Nxm	lbfxin	
	400 A	24.0	0.37	7	0.28	35	1.38	M10	18	115 min	159 max



DC Switch-Disconnecter
S5-03154PRO

JDA JD Auspice Co., Ltd.

DC-Load break switch Model S6000N – 400A 1500V DC21B



Electrical data (according to IEC 60947-3)

Thermal current I_{th} (-30 to 50 °C) 400A

Rated insulation voltage U_i (V) 1500

Rated impulse withstand voltage U_{imp} (kV) 8

DC Rated operational current I_e (A)

Voltage (DC)	Category of operation	I_e
1500 V	DC 21B	400

** Please consult for other voltages and/or category of operation

Standards. IEC 60947-1 & 3

Quality Telergon, S.A.U.

Short-circuit behaviour

Short-circuit making capacity (peak value) I_{cm} 20kA

Short-time withstand current (1 sec) (rms) I_{cw} 12kA

Connection capacity

Bar (Thickness / Width) (mm) 7/30

Rigid cable (mm²) 185

Max. Connecting copper bar (mm) 30

Tightening torque (N·m) 18

Mechanical data

Minimum number of operations (as per standard) without load 1600

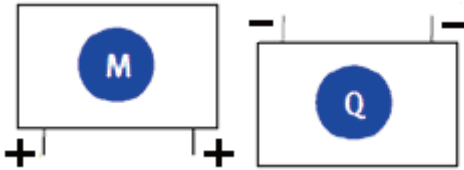
Maximum weight (4 pole molded case) (kg) *

*to be confirmed (depending on configuration)

ISO 9001 & 14001



CONNECTION DIAGRAM (4+0)



Codes

Case size (A)	Poles	Code	Code for direct handle
Size 1	1	S6N0400MQD0	DS-SI11

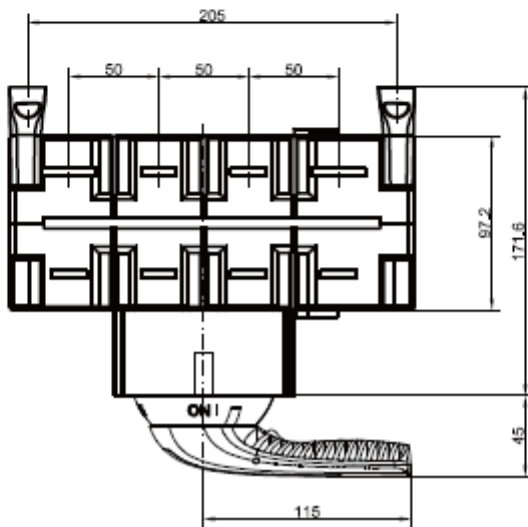
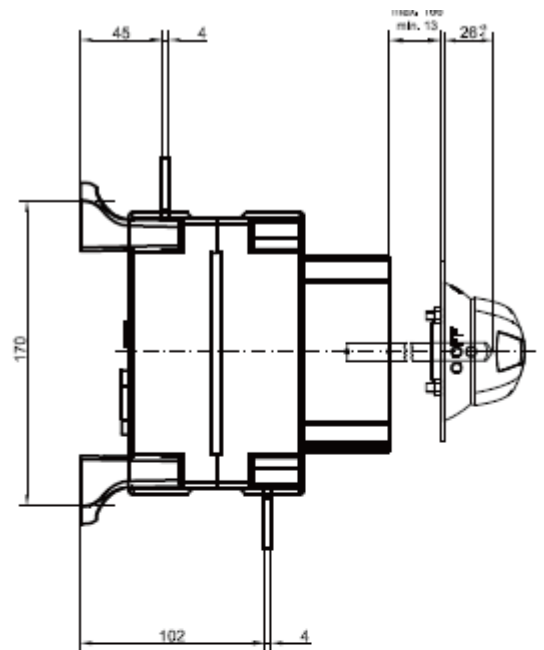
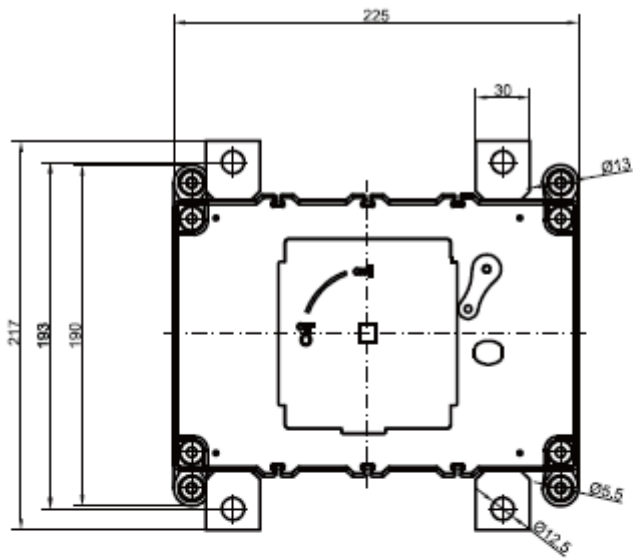
Accessories

Panel handle	DS-SA11
Terminal shroud	DS-CU13
Spacer	DR-EL11
Phase barrier	DR-SF13
Auxiliary contact	D5LAU01



DC Switch-Disconnecter
S5-03154PRO

JDA JD Auspice Co., Ltd.



IEC	Ith	S max (Cu)		H max (Cu)		L max (Cu)		T	M	
		mm ²	in ²	mm	in	mm	in		Nxm	lbfxin
400A		185	0.29	7	0.28	30	1.18	M10	18	115 min 159 max



DC Switch-Disconnecter
 S5-03154PRO

