

Switching Power Supply Type PSU 24 18 DIN Rail mounting

- Universal AC Input Full range
- Installation on DIN Rail 7.5 or 15mm
- Short circuit protection
- Overload protection
- High efficiency
- LED indicator for power on
- Led indication for DC low
- Internal input filter
- CE, TUV approved and cULus Listed



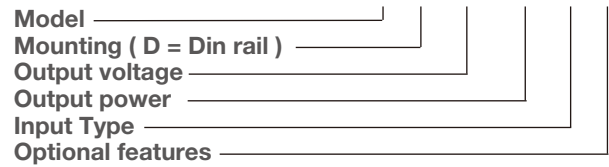
Product Description

The Switching power supplies PSU series are specially designed to be used in all automation application where the

Installation is on a DIN rail and compact dimensions and performance are a must.

Ordering Key

PS U 24 18 1 B



Input type: 1= single phase

Approvals



Optional Features

Description	code
Spring connectors	B

Output data

Output nominal voltage	24Vdc*	Transient recovery time	300 ms
Current	0.75A	Ripple and noise	50mVpp
Output voltage range	-10 to +20% of rated V.	Efficiency typ.	77%
Line regulation	± 1%	Output Voltage accuracy	± 1%
Load regulation	± 2%	Temperature coefficient	± 0.02%/°C
		Hold up Time Vi = 115Vac	20ms
		Hold up time Vi = 230Vac	75ms

Input data

Rated input voltage	100 - 240	Frequency range	47 - 63 Hz
Voltage range		Inrush current	
AC	90 - 265 Vac	Vi= 115Vac	10A
DC	120 - 370 Vdc	Vi= 230Vac	18A

* 5Vdc, 15Vdc and 12Vdc available, see specific data sheets

Controls and Protections

Overload	110 - 135%	Output Short Circuit	Hiccup mode
Input Fuse	T2A/250Vac internal*	Dc out On, indicator	21.6Vdc
Overvoltage Protection	125 - 145%	Dc out low, indicator	8 – 21.6Vdc

General data (@ nominal line, full load, 25°C)

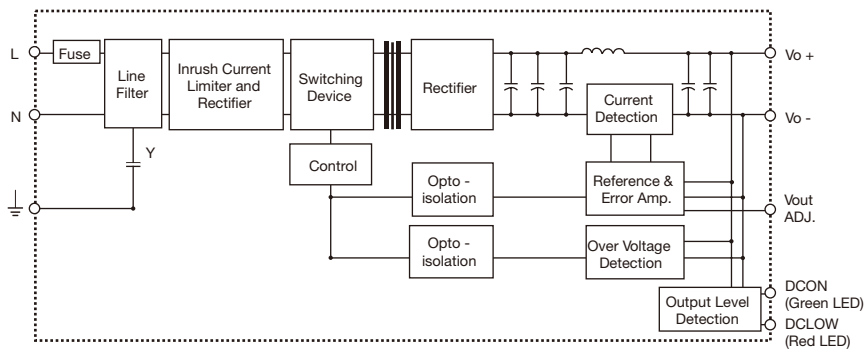
Ambient temperature	-10°C to 71°C	Cooling	Free air convection
Case temperature V/I nom	+85°C	Switching frequency	100kHz
Derating (>60°C to +71°C)	3%/°C	MTBF (MIL-HDBK-217F)	195.000h
Ambient humidity	20 - 90%RH	Case material	Plastic
Storage	-25°C to + 85°C	Dimensions L x W x D	99 x 22.5 x 115
Protection degree	IP20	Weight	150g

Approvals and EMC

Insulation voltage I / O	3.000Vac	CE	EN50081-1 / EN55022 Class B EN50082-1 / EN55024 EN61000-3-2 EN61000-3-3
Insulation resistance	100Mohm		
UL / cUL	UL508, UL60950-1, UL1310 Class2 Recognised		
TUV	EN60950-1		

* fuse not replaceable by user

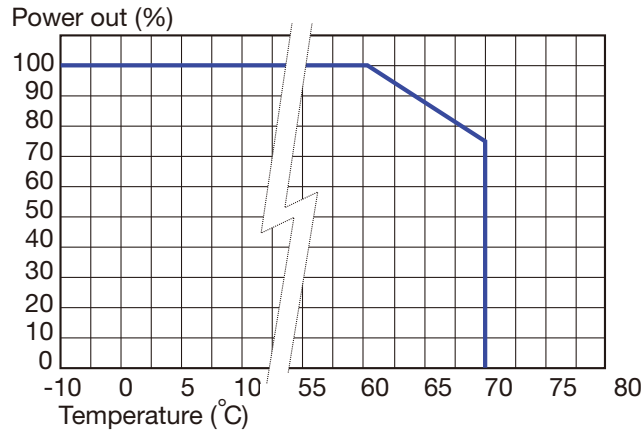
Block diagrams



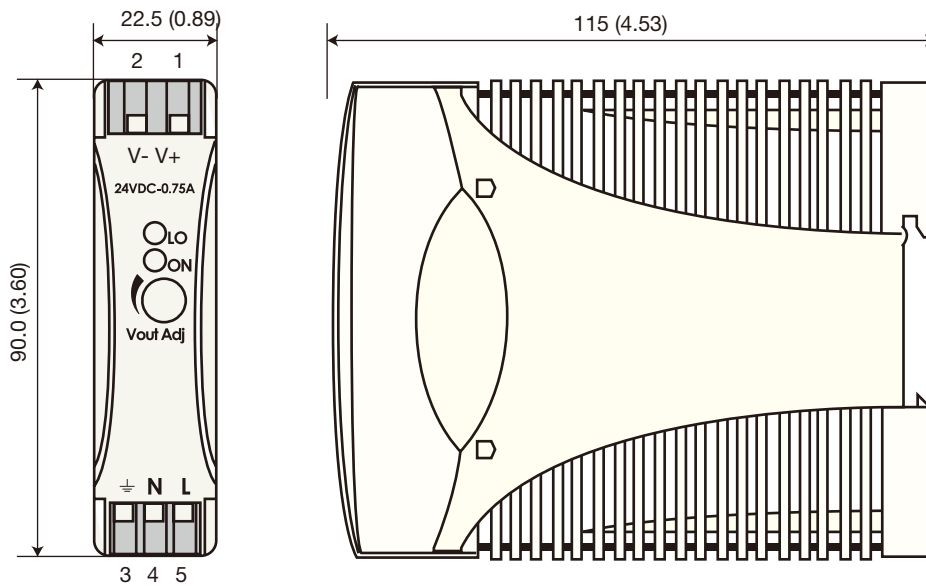
Pin assignment and front controls

Pin No.	Designation	Description
1	V+	Positive output terminal
2	V-	Negative output terminal
3	GND	Ground terminal to minimise High frequency emissions
4	N	Neutral input (no polarity with DC input)
5	L	Phase input (no polarity with DC input)
	Vout ADJ.	Trimmer for fine output voltage adjustment
	ON	DC output ready LED
	LO	DC low indicator LED

Derating Diagram



Mechanical Drawings



Installation

Ventilation and cooling

Normal convection
 All sides 25mm free space
 for cooling is recommended

Connector size range

Solid: 0.2 – 2mm²
 (AWG24-14)
 (use copper conductors only)