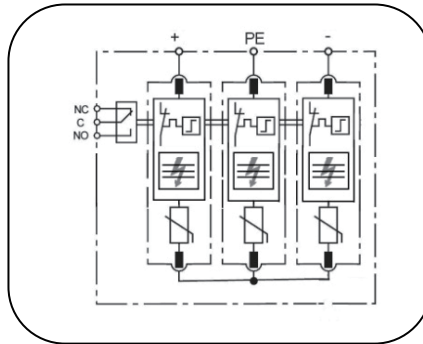
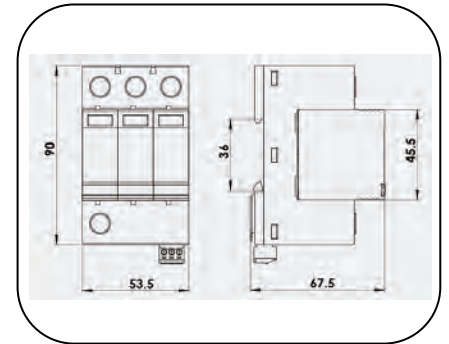


# PV50/600~1200-MVCDR



Basic circuit diagram



Dimension drawing

Type 1 SPD designed for low voltage system protection against surges at the boundaries from lightning protection zone 1-2 and higher.

- Type 1 surge protective devices for PV/ Photovoltaic system.
- DC SPD for common mode & Differential mode protection
- ETL certified surge protector according to UL1449-4th, SCCR 200kArms
- Pluggable design with window fault indication
- Nominal discharge current In 20kA 8/20 per pole, max discharge current I<sub>max</sub> 50kA 8/20 per pole
- High reliability due to global patented thermally protected MOV (TPMOV) with special arc-extinguish device

Part No.		PV50-600-MVCDR	PV50-750-MVCDR	PV50-1000-MVCDR	PV50-1200-MVCDR
In accordance with		UL1449-4th			
Category IEC/VDE		Type1 CA			
Protection Mode		Common mode & Differential mode			
Nominal voltage (Vdc)	Un	600	750	1000	1200
Max. permitted DC voltage	Vpvc	660	840	1120	1420
Nominal discharge current(8/20)	In	20kA			
Max. discharge current(8/20)	I <sub>max</sub>	50kA			
Voltage protection rating per mode	VPR	<1.0kV	<1.2kV	<1.5kV	<1.5kV
Voltage protection rating ("+" - PE)		<2kV	<2.4kV	<3kV	<3kV
Leakage (Quiescent) current	I <sub>q</sub>	<2.5μA	<3.5μA	<2.5μA	<2.0μA
Short Circuit Current Rating	SCCR	200kA			
Response time		≤ 25ns			
Backup fuse(only required if not already provided in mains)		125A gR/gPV			
Max Ambient temperature		- 40°C ~ + 80°C			
Cross-section of connection wire		Single-strand 35mm <sup>2</sup> ; multi-strand 25mm <sup>2</sup>			
Mounting		35mm DIN-rail in accordance with EN 50022/DIN46277-3			
Enclosure material		thermoplastic; extinguishing degree UL94 V0			
Degree of protection		IP20			
Installation width		3 modules, DIN 43880			
Thermal disconnecter		Internal green - normal; red - failure			
Remote alarm contact		"-S" means with remote alarm contact			
Approvals, Certifications		cETLus, CE			
Remote alarm contact type		Isolated Form C			
Switching capability Un/In		AC: 250V/0.5A DC: 250V/0.1A; 125V/0.2A; 75V/0.5A			
Max. Size of connecting wire		Max. 1.5mm <sup>2</sup> (or # 16AWG)			

Note: Subject to change without any notice.