

# Single Phase (2 MOV Modules) Surge Protective Devices Type D1-40/\*\*\*-2MV-R

Surge arrester for low-voltage power supply system protection against surges at the boundaries from lightning protection zone 0B-1 and higher.

- Class II (C) arrester in according with IEC61643-1:2005. ANSI/IEEE C62.41
- Fail Safe System (Patent)
- Two part design consisting of base and plug-in protection module.
- High energy MOV (Metal Oxide Varistor) inside.
- Reliable supervision due to disconnection device.
- Fault indication by red indication flag in window.
- Fast response.
- With remote alarm terminal optional.

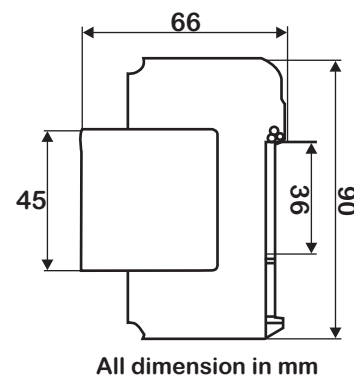
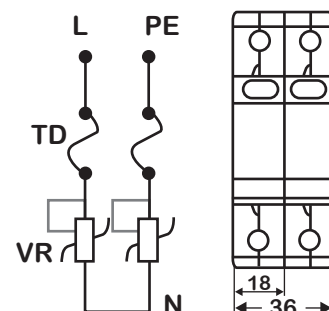
Rapid thermal disconnection under TOV ;  
Inbuilt Arc - extinguishing device.



## Characteristics

Type	D1-40/***-2MV-R										
	75	150	175	275	300	320	385	440	550	600	
In accordance with	IEC61643-1:2005 ; UL1449 3rd										
Category IEC/VDE	II / C										
Max. continuous operating voltage	75/100	150/200	175/225	275/300	300/385	320/420	385/505	440/585	550/745	600/800	
Nominal discharge current (8/20) In	L-N	20KA									
	N-PE	20KA									
Max. discharge current (8/20) Imax	L-N	40KA									
	N - PE	40KA									
Voltage protection level (clamping voltage) ≤	@In	0.5KV	0.8KV	0.8KV	1.4KV	1.5KV	1.6KV	1.8KV	2.2KV	2.8KV	3.0KV
	@3KA	0.3KV	0.5KV	0.6KV	1.0KV	1.0KV	1.1KV	1.3KV	1.5KV	2.0KV	2.0KV
Response time	L-N	≤25 ns									
	N-PE	≤25 ns									
Follow current	L-N	No									
	N-PE	No									
Backup fuse <small>(only required if not already provided in mains)</small>	125A gL/gG										
Operating temperature range	- 40°C ~ + 80°C										
Cross-section of connection wire	Single-strand 35mm <sup>2</sup> ; multi-strand 25mm <sup>2</sup>										
Mounting	35mm DIN-rail in accordance with EN 50022/DIN46277-3/DIN43880										
Enclosure material	Thermoplastic ; extinguishing degree UL94 V-0										
Degree of protection	IP20										
Installation width	2 modules , DIN 43880										
Thermal disconnecter	Internal green – normal red - failure										
Remote alarm contact	Optional										
<b>Additional data for Remote Alarm Contacts</b>											
Remote alarm contact type	floating changeover contact										
Switching capability UN/IN	AC: 250V/0.5A DC: 250V/0.1A ; 125V/0.2A ; 75V/0.5A										
Cross_section of connection wire	Max. 1.5mm <sup>2</sup>										

## Dimensions and Diagram



Note: Subject to change without any notice.

\*remarks:

- (1) for example, voltage protection level (clamping voltage) ≤ 0.8KV(800V), at system voltage 110V.
- (2) load current: ≥ 3A