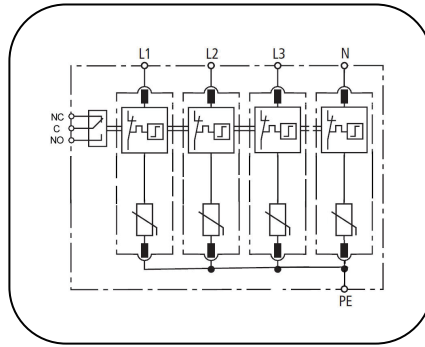
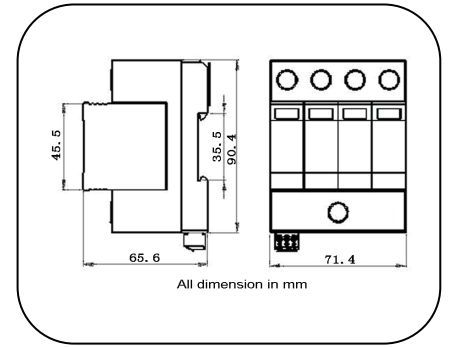


D3-60/440-4MV-R



Basic circuit diagram



Dimension drawing

Type 2 AC surge arrester designed for low-voltage power supply system protection against surges at the boundaries from lightning protection zone 1-2 and higher.

- Comply with IEC 61643-11, apply to TN system.
- Pluggable design, 4 poles SPD, easy replaced without any tools.
- High Discharge Capacity with 8/20 us waveform, I_{max} 60kA
- Visual status indication and remote signal contact available.
- High reliability due to global patented thermally protected MOV with special arc-extinguish device

Part No.	D3-60/440-4MV-R	
In accordance with	IEC61643-11:2011	
Category IEC/VDE	II/ C	
Max. continuous operating voltage (AC/DC)U _c	440/585	
Nominal discharge current(8/20) I _n	30kA	
Max. discharge current(8/20) I _{max}	60kA	
Voltage protection level Up	@I _n	<2.2kV
	@VPR	<1.5kV
Response time	≤ 25ns	
Follow current	No	
Backup fuse(only required if not already provided in mains)	160A gL/gG	
Operating temperature range	- 40°C ~ + 80°C	
Cross-section of connection wire	Single-strand 35mm ² ; multi-strand 25mm ²	
Mounting	35mm DIN-rail in accordance with EN 50022/DIN46277-3	
Enclosure material	thermoplastic; extinguishing degree UL94 V-0	
Degree of protection	IP20	
Installation width	4 modules, DIN 43880	
Thermal disconnecter	Internal green – normal ; red - failure	
Remote alarm contact	Yes	
Approvals, Certifications	CE	
Remote alarm contact type	Isolated Form C	
Switching capability Un/I _n	AC: 250V/0.5A DC: 250V/0.1A; 125V/0.2A; 75V/0.5A	
Max. Size of connecting wire	Max. 1.5mm ² (or # 16AWG)	

Note: Subject to change without any notice.