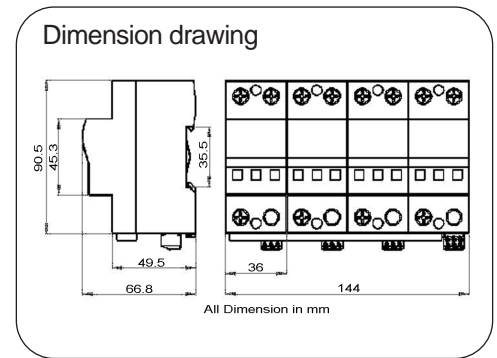
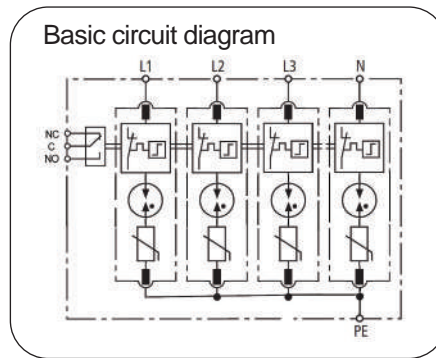


# D3-100/385-4MVGT-R



Surge arrester for low-voltage power supply system protection against surges at the boundaries from lightning protection zone 1-3 and higher.

Type	D3-100/385-4MVGT-R 385
In accordance with	IEC61643-11:2011; UL1449 3rd
Category IEC/VDE	I+II+III
Max. continuous operating voltage (AC/DC)	385/505
Nominal discharge current(8/20) In	50kA
Max. discharge current(8/20) I <sub>max</sub>	100kA
Impulse current(10/350) I <sub>imp</sub>	10kA
Voltage protection level @I <sub>n</sub>	<1.4kV
Response time	≤100 ns
Open circuit voltage U <sub>oc</sub>	20kV
Backup fuse (only required if not already provided in mains)	250A gL/gG
Operating temperature range	- 40°C ~ + 80°C
Cross-section of connection wire	Single-strand 35mm <sup>2</sup> ; multi-strand 25mm <sup>2</sup>
Mounting	35mm DIN-rail in accordance with EN 50022/DIN46277-3
Enclosure material	thermoplastic; extinguishing degree UL94 V-0
Degree of protection	IP20
Installation width	8 modules, DIN 43880
Thermal disconnecter	Internal red - failure
Remote alarm contact	Yes
Approvals, Certifications	CE
<b>Additional data for Remote Alarm Contacts</b>	
Remote alarm contact type	Isolated Form C
Switching capability Un/I <sub>n</sub>	AC: 250V/0.5A DC: 250V/0.1A; 125V/0.2A; 75V/0.5A
Max. Size of connecting wire	Max. 1.5mm <sup>2</sup> (or # 16AWG)