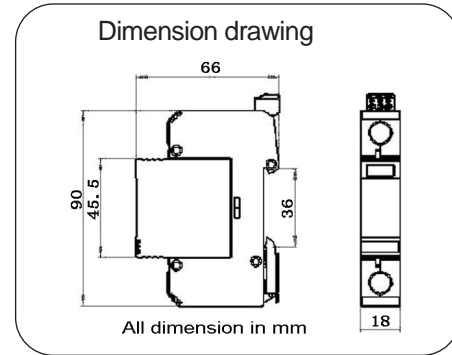
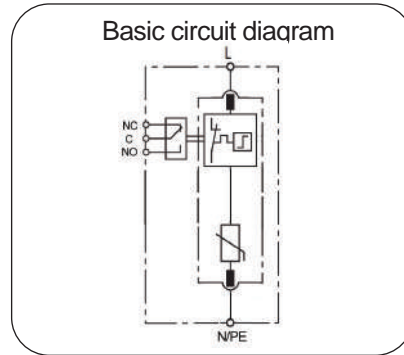


RLMV20/150



Surge arrester for low-voltage power supply system protection against surges at the boundaries from lightning protection zone 2-3 and higher.

| | | |
|---|--|--------|
| Type | RLMV20/150 | |
| | 150 | |
| In accordance with | IEC61643-11:2011; UL1449 3rd | |
| Category IEC/VDE | III/ D | |
| Max. continuous operating voltage (AC/DC) | 150/200 | |
| Nominal discharge current(8/20) In | 10kA | |
| Max. discharge current(8/20) Imax | 20kA | |
| Voltage protection level | @In | <0.8kV |
| | @VPR | <0.5kV |
| Response time | ≤25 ns | |
| Follow current | No | |
| Backup fuse(only required if not already provided in mains) | 63A gL/gG | |
| Operating temperature range | - 40°C ~ + 80°C | |
| Cross-section of connection wire | Single-strand 35mm ² ; multi-strand 25mm ² | |
| Mounting | 35mm DIN-rail in accordance with EN 50022/DIN46277-3 | |
| Enclosure material | thermoplastic; extinguishing degree UL94 V-0 | |
| Degree of protection | IP20 | |
| Installation width | 1 modules, DIN 43880 | |
| Thermal disconnecter | Internal green – normal ; red - failure | |
| Remote alarm contact | No | |
| Approvals, Certifications | CE, RoHS | |
| Additional data for Remote Alarm Contacts | | |
| Remote alarm contact type | Isolated Form C | |
| Switching capability Un/In | AC: 250V/0.5A DC: 250V/0.1A; 125V/0.2A; 75V/0.5A | |
| Max. Size of connecting wire | Max. 1.5mm ² (or # 16AWG) | |