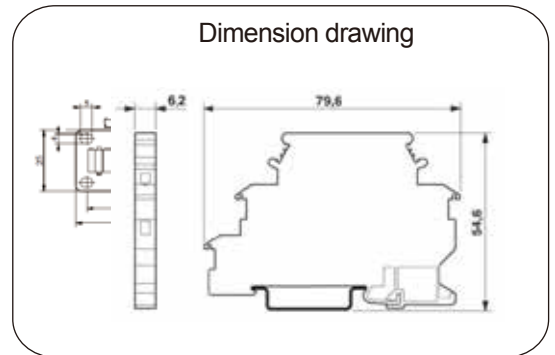
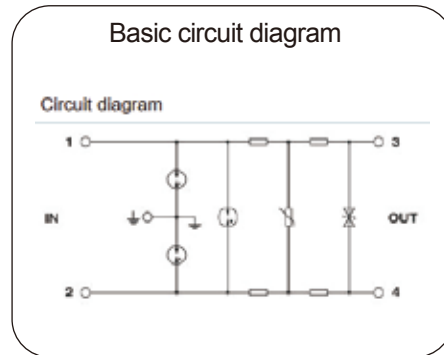


DN-xxx-MB/G2



JDA DN-xxx-MB/G2 data network arrester applied in protection for 2 single wires of balanced interfaces with measuring and controlling system, providing coarse and fine protection, suitable for use in category location B, C (ANSI/IEEE C62.41) or directly at the upstream near the protected devices.

- ⊙ Data network protector in according with UL497b, IEC61643-21:2012;
- ⊙ Compact size of 6.2mm to save much installation space
- ⊙ 35mm Din-rail mounting design;
- ⊙ Limit the transients with gas discharge tubes and transzorb diodes;
- ⊙ Three-stage protection circuit.
- ⊙ Universal one pair data/communication lines protection

Model No		DN12-MB/G2	DN24-MB/G2	DN48-MB/G2	DN110-MB/G2
Nominal voltage	U_N	12V	24V	48V	110V
Rated voltage (max. continuous d.c.voltage)	U_C	14V	33V	55V	170V
Rated voltage (max. continuous a.c.voltage)	U_C	9.5V	23V	38.5V	120V
Nominal current	I_L	0.5A	0.5A	0.5A	0.5A
Lightning impulse current (10/350 us) per line	I_{imp}	0.5kA	0.5kA	0.5kA	0.5kA
Nominal discharge current (8/20 us) per line	I_n	5kA	5kA	5kA	5kA
Nominal discharge current (8/20 us) Total	I_n	10kA	10kA	10kA	10kA
Voltage protection level at In line-line	U_P	$\leq 25V$	$\leq 50V$	$\leq 100V$	$\leq 260V$
Voltage protection level at In line-PG	U_P	$\leq 750V$	$\leq 750V$	$\leq 750V$	$\leq 750V$
Voltage protection level at 1kV/ μ s line -line	U_P	$\leq 19V$	$\leq 45V$	$\leq 70V$	$\leq 230V$
Voltage protection level at 1kV/ μ s line -PG	U_P	$\leq 650V$	$\leq 650V$	$\leq 650V$	$\leq 650V$
Bandwidth line -line	f_G	2.5MHz	6MHz	10MHz	16MHz
Series impedance per line	R	4.0 Ω	4.0 Ω	4.0 Ω	4.0 Ω
Capacitance line -line	C	$\leq 2.4nF$	$\leq 1nF$	$\leq 0.6nF$	$\leq 0.4nF$
Capacitance line -PG	C	$\leq 5pF$	$\leq 5pF$	$\leq 10pF$	$\leq 5pF$
Response time line-line	t_A	$\leq 1ns$	$\leq 1ns$	$\leq 1ns$	$\leq 1ns$
Response time line-PG	t_A	$\leq 100ns$	$\leq 100ns$	$\leq 100ns$	$\leq 100ns$
Operating temperature range		-40°C...+80°C			
Cross-sectional area		0.08mm ² ~ 4mm ² solid / 2.5mm ² flexible			
Mounting on		35mm DIN rail			
Enclosure material		Black thermoplastic, UL94-V0			
Test standards		UL497b, IEC 61643-21:2012			

Note: Subject to change without any notice.