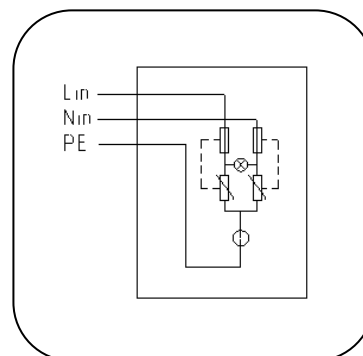
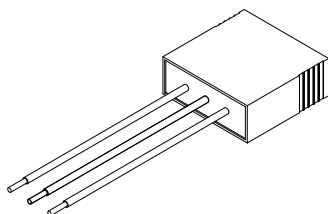


POWER SUPPLY SYSTEMS

SURGE ARRESTERS FOR LED STREET LIGHTING

RL-2VG/xxx-6-L



Basic circuit diagram

The RL-2VG/xxx-6-L is a compact UL 1449 3rd Edition surge protection device (SPD) designed to protect single phase LED and lighting applications. Offering full of protection, IP65 watertight enclosure, bright LED status indication and contacts for remote annunciation. The SPD is designed to meet IEC 61643-11 Class II requirements to protect at lighting zone 2-3 boundary. Connects with #16 AWG stranded copper wires.

Type		RL-2VG/xxx-6-L			
		180	320	420	550
In accordance with		IEC61643-11:2011; UL1449 3rd			
Category IEC/VDE/UL		III/ D/ Type 4 CA			
Thermal disconnector		internal			
Power system		120V single phase	220-277V single phase	347V single phase	480V single phase
Max. continuous operating voltage V	AC/DC	180 /230	320 /420	420 /560	550 /745
Mode of Protection		Full mode protection			
Nominal discharge current(8/20) In		3kA			
Max. discharge current(8/20) I _{max}		6kA			
Open circuit voltage U _{oc}		6kV			
Voltage protection level U _p /VPR	L/N-PE	<0.6kV	<1.0kV	<1.2kV	<1.5kV
Response time	L-N	≤25 ns			
	L/N-PE	≤100 ns			
Follow current		No			
Backup fuse(only required if not already provided in mains)		16A gL/gG			
Protect Status Indication		Normal= Blue LED ON ; Failure: Blue LED Off			
Operating temperature range		- 40°C ~ + 70°C			
connection wire		16AWG(L=red; N=blue; PE=y/g)			
Enclosure material		thermoplastic; extinguishing degree UL94 V-0			
Degree of protection		IP65 (Waterproof)			
Dimension		42*40*16mm			
Altitude		≤2000m			
Relative Humidity		≤95% Non Condensing			

Note: Subject to change without any notice.