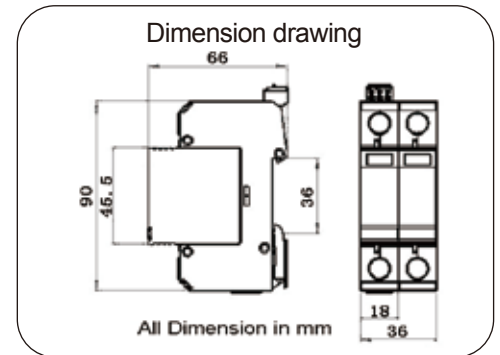
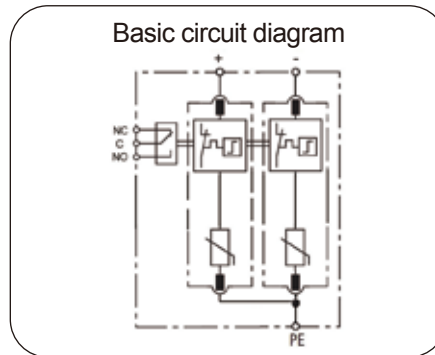


PV20/xx-MVCR



Type 2 surge arrester designed for low voltage DC system against surges at the boundaries from lightning protection zone 0B-2and higher.

- ⊙ In accordance with IEC61643-11 and UL1449-4th
- ⊙ DC SPD for common mode protection
- ⊙ Pluggable module design, easy replacement
- ⊙ High discharge current 20kA 8/20
- ⊙ Reliable supervision due to disconnection device
- ⊙ Fault indication by red indication flag in window
- ⊙ With remote alarm terminal optional

| Part No. | | PV20/24-MVCR | PV20/36-MVCR |
|---|------------------|--|--------------|
| In accordance with | | IEC61643-11:2011; UL1449-4th | |
| Category IEC/VDE | | II/ C | |
| Protection Mode | | Common mode | |
| Nominal voltage (Vdc) | Un | 24 | 36 |
| Max. continuous operating voltage(Vdc) | Uc | 38 | 45 |
| Nominal discharge current(8/20 μ s) | In | 10kA | |
| Max. discharge current(8/20 μ s) | I _{max} | 20kA | |
| Voltage protection rating | Up | <200V | <250V |
| | VPR | <100V | <120V |
| Response time | | ≤ 25ns | |
| Follow current | | No | |
| Backup fuse(only required if not already provided in mains) | | 63A gR/gPV | |
| Operating temperature range | | - 40°C ~ + 80°C | |
| Cross-section of connection wire | | Single-strand 35mm ² ; multi-strand 25mm ² | |
| Mounting | | 35mm DIN-rail in accordance with EN 50022/DIN46277-3 | |
| Enclosure material | | thermoplastic; extinguishing degree UL94 V-0 | |
| Degree of protection | | IP20 | |
| Installation width | | 2 modules, DIN 43880 | |
| Thermal disconnecter | | Internal green – normal ; red - failure | |
| Remote alarm contact | | Yes | |
| Approvals, Certifications | | CE | |
| Remote alarm contact type | | Isolated Form C | |
| Switching capability Un/In | | AC: 250V/0.5A DC: 250V/0.1A; 125V/0.2A; 75V/0.5A | |
| Max. Size of connecting wire | | Max. 1.5mm ² (or # 16AWG) | |

Note: Subject to change without any notice.