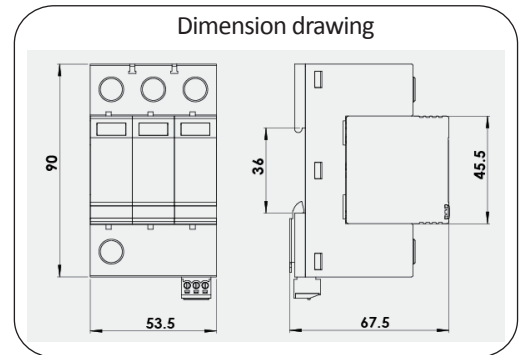
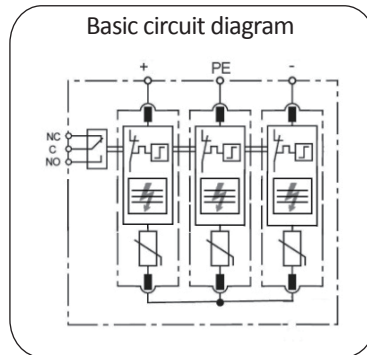


PV50/1000-MVCDR



Type 1CA SPD designed for low voltage system protection against surges at the boundaries from lightning protection zone 1-2 and higher.

- ⊙ Type 1CA surge protective devices for PV/ Photovoltaic system.
- ⊙ DC SPD for common mode & Differential mode protection
- ⊙ ETL certified surge protector according to UL1449-4th, SCCR 200kArms
- ⊙ Pluggable design with window fault indication
- ⊙ Nominal discharge current I_n 20kA 8/20 per pole, max discharge current I_{max} 50kA 8/20 per pole
- ⊙ High reliability due to global patented thermally protected MOV with special arc-extinguish device

Part No.		PV50-1000-MVCDR
In accordance with		UL1449-4th
Category IEC/VDE		Type1 CA
Protection Mode		Common mode & Differential mode
Nominal voltage (Vdc)	U_0	1000
Max. permitted DC voltage	V_{pvdc}	1120
Nominal discharge current(8/20)	I_n	20kA
Max. discharge current(8/20)	I_{max}	50kA
Voltage protection rating per mode	VPR	<1.5kV
Voltage protection rating (“+/-” - PE)		<3kV
Leakage (Quiescent) current	I_q	<2.5 μ A
Short Circuit Current Rating	SCCR	200kA
Response time		\leq 25ns
Backup fuse(only required if not already provided in mains)		125A gR/gPV
Max Ambient temperature		- 40°C ~ + 80°C
Cross-section of connection wire		Single-strand 35mm ² ; multi-strand 25mm ²
Mounting		35mm DIN-rail in accordance with EN 50022/DIN46277-3
Enclosure material		thermoplastic; extinguishing degree UL94 V0
Degree of protection		IP20
Installation width		3 modules, DIN 43880
Thermal disconnect		Internal green – normal ; red - failure
Remote alarm contact		“-S” means with remote alarm contact
Approvals, Certifications		ETL/CE
Additional data for Remote Alarm Contacts		
Remote alarm contact type		Isolated Form C
Switching capability U_n/I_n		AC: 250V/0.5A DC: 250V/0.1A; 125V/0.2A; 75V/0.5A
Max. Size of connecting wire		Max. 1.5mm ² (or # 16AWG)

Note: Subject to change without any notice.