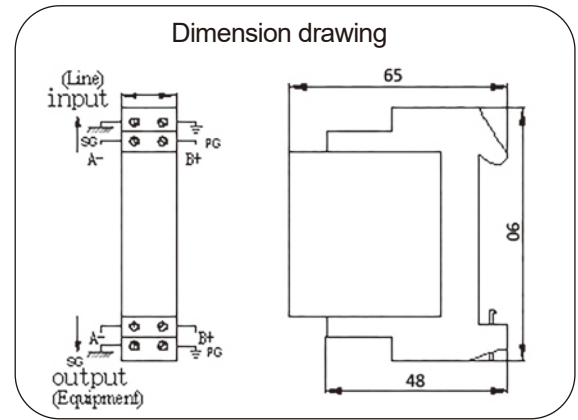
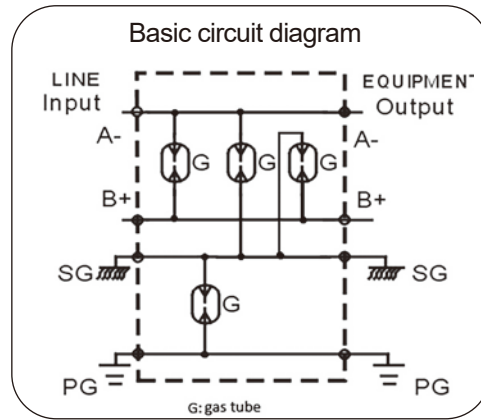


DN-05/RS485-3G



Surge protective devices with plug-in protection modules for high-frequency signal transmission systems against surges at the boundaries from lightning protection zone 0B>2.

- ⊙ Data network protector in according with IEC61643-21.
- ⊙ Two parts design, surge protection modules to be exchanged easily.
- ⊙ Limit the transients with gas discharge tubes.
- ⊙ Two-stage protection circuit.
- ⊙ 35mm DIN-rail mounting design.

Technical Data

Model No.	DN-05/xxxx-3G
Appliance	xxxx:RS232,RS422,RS423,RS485,0/4-20mA,0-5V,0-10V
Configuration	twisted pair + shield
Nominal line voltage (Un)	5V
Max line voltage	8V
Nominal Discharge Current (8/20μs,KA) In 10 times	10kA
Total Max. Discharge Current (8/20μs,KA) I _{max} 1 time	20kA
Impulse current (I _{imp}) (10/350us KA) impulse 2 times	5kA
Nominal Current (A) I _L	1A
Breakdown Voltage	90V(L-L);90V(L-SG);230V(SG-PG)
Protection level (U _p) at 1kV/uS	650V(L-L);650V(L-SG);700V(SG-PG)
Series impedance per line (Ohm)	0 Ohm
Insertion loss at 10MHz (dB)	≤0.3
Degree of protection	IP20
Mounting on	35 mm DIN-rail
Enclosure Material	UL94 V0
Environment Temperature (°C)	- 40~+80

Note: Subject to change without any notice.