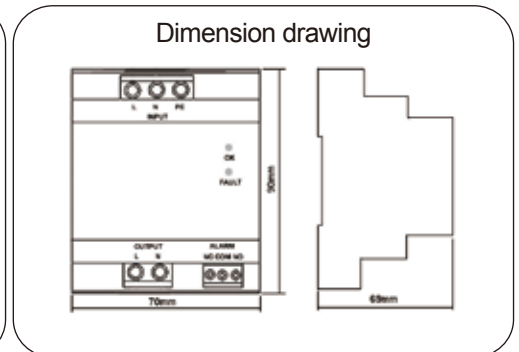
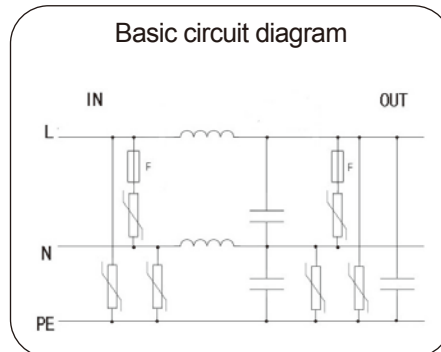


# DRF25-175-25A-3MV-C(-R)



Surge protective device especially for low-voltage power supply system surge protection at the boundaries from lightning protection zone 2-3 and higher.

- ⊙ Multi-stage protection circuit with LC Filter design to protect sensitive electronics.
- ⊙ Provides extensive high frequency & RF filtering
- ⊙ Application for 120~127Vac, 220~277Vac(L-N) TT, TN or any 1-phase system with a grounded neutral
- ⊙ Protection capability 25kA 8/20 us
- ⊙ Built in backup fuse for fault current protection
- ⊙ All mode protection
- ⊙ LED failure indication
- ⊙ Remote alarm function available

|  |  |        |
|--|--|--------|
| Part No.   | DRF25/275-25A-3MV-C(-R)  |        |
| In accordance with                               | IEC61643-11:2011; UL14494th                                    |        |
| Category IEC/VDE                                 | III / D  |        |
| Nominal Voltage Un                               | 100-127V 1φ2W  |        |
| Max. continuous operating voltage (AC)           | 175V   |        |
| Current rating – Max.continuous                  | 25A  |        |
| Protection modes                                 | Line-Neutral, Line-Earth, Neutral-Earth                        |        |
| Nominal discharge current(8/20) In(mode)         | 10kA(L-N);3kA(L/N-PE)  |        |
| Max. discharge current(8/20) Imax(mode)          | 25kA(L-N);6kA(N-PE), 16kA (L-PE)                               |        |
| Max. discharge current(8/20) Imax(phase)         | 31kA   |        |
| Voltage protection level(L-N)                    | @In  | <0.8kV |
|  | @VPR   | <0.7kV |
| Temporary overvoltage- TOV                       | 195VAC/5s  |        |
| Filter attenuation                               | >45dB @ 1MHz   |        |
| Internal protection (fusing)                     | Thermal fusing on primary MOVs                                 |        |
| External disconnector requirements               | 25A HRC fuse or MCB  |        |
| Environment                                      | -10 to 60°C, 0 to 90%RH (non-condensing)                       |        |
| Cross-section of connection wire                 | Single-strand 6mm <sup>2</sup> ; multi-strand 4mm <sup>2</sup> |        |
| Mounting   | 35mm DIN-rail in accordance with EN 50022/DIN46277-3           |        |
| Enclosure material                               | thermoplastic; extinguishing degree UL94 V0                    |        |
| Degree of protection                             | IP20;  |        |
| Installation width                               | 4 modules, DIN 43880   |        |
| Alarms/indicators                                | 2 part display, Power OK, Protection fault.                    |        |
| Dimensions                                       | 90mm (L) x 70mm (W) x 69mm (H)                                 |        |
| <b>Additional data for Remote Alarm Contacts</b> |  |        |
| Remote alarm contact type                        | Isolated Form C  |        |
| Switching capability                             | dry contact alarm relay – 125Vac1A;/30Vdc, 2A                  |        |
| Max. Size of connecting wire                     | Max. 1.5mm <sup>2</sup> (or # 16AWG)                           |        |

Note: Subject to change without any notice.