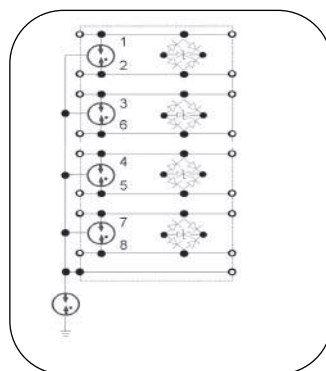
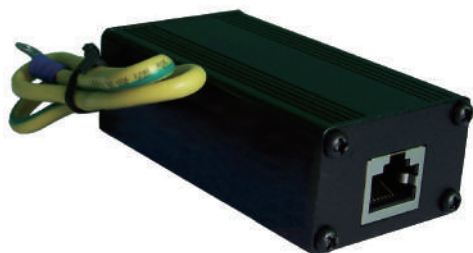


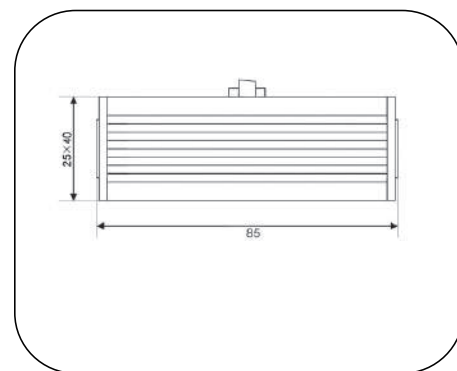


RJ45 High Speed Connection

EN-xxx/RJ45HS-8



Basic circuit diagram



Dimension drawing

Surge arrester for Ethernet, Twisted Pair, Cat 5 network systems against surges at the boundaries from lightning protection zone 0B-2 and higher.

Type		EN-xxx/RJ45HS-8			
		5	12	24	48
In accordance with		IEC 61643-21:2005			
Nominal voltage (Vdc)	Un	5	12	24	48
Max. continuous operating voltage (Vdc/ac)	Uc	6/5	15/12	28/24	60/48
C2 Nominal discharge current(8/20)	In	125A (L-L) /2.5kA(L-G)			
C2 Total nominal Discharge Current (8/20us)		500A (L-L) /20kA(L-G)			
Voltage protection level (V)	L-L@C2 (8/20μs)Up	<30	<45	<55	<190
	L-G@C2 (8/20μs)Up	<600	<600	<600	<600
	L-L@C3 (1KV/μs)Up	<24	<38	<48	<145
	L-G@C3 (1KV/μs)Up	<800	<800	<800	<800
Nominal Current (A)		1A			
Transmission Speed (bps)		1000Mbps			
Insertion loss at 80MHz (dB)		≤3.0			
Transmission standards		10BaseT/ 100BaseT/1000BaseT			
Pinning		1/2, 3/6, 4/5, 7/8			
Mounting		35mm DIN-rail in accordance with EN 50022/DIN46277-3 (Optional)			
Type of Connection IN/OUT		RJ45 Female/ Female			
Dimensions (mm)		85 X 25 X 40			
Operating temperature range		- 40°C ~ + 80°C			

Note: Subject to change without any notice.