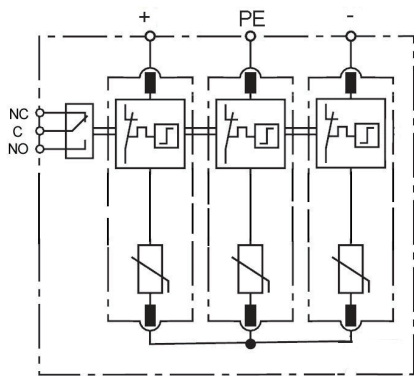


PV SURGE ARRESTERS – CLASS I+II/T1+T2

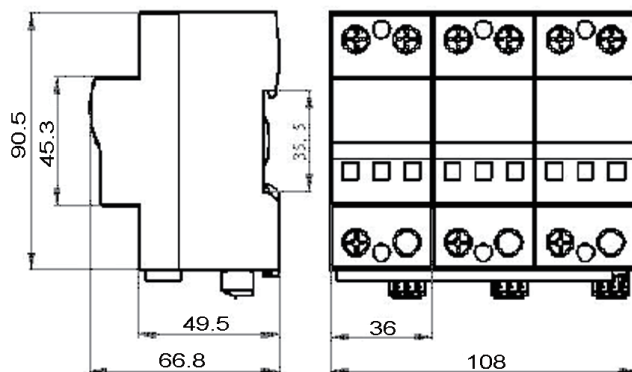
PVB12.5/1500-MVCDR

T1+T2 (IEC/EN) Surge Protective Device (SPDs) are designed for PV/Photovoltaic system dc-side protection against the damaging from surges and spikes caused by lightning and other electrical sources.

- T1+T2/Class I+II PV SPD per IEC 61643-31/EN50539-11
- Prewired Y protection circuit, for common mode and differential mode protection
- Surge capacity up to 100kA 8/20µs per pole
- Lightning impulse current 12.5kA 10/350µs per pole
- Reliable supervision due to disconnection device;
- Degradation indication and optional alarm signal optional



Basic circuit diagram



Dimension drawing

Type	PVB12.5/1500-MVCDR
In accordance with	EN50539-11; IEC61643-31
Category IEC/VDE	I+II/B+C
Protection Mode	Common mode & Differential mode
Max. continuous operating voltage	Ucpv 1500Vdc
Nominal discharge current (8/20µs)	In 30kA
Max. discharge current (8/20µs)	Imax 100kA
Lightning impulse current (10/350µs) per pole	Iimp 12.5kA
Total Discharge Current (10/350µs)	Itotal (10/350) 25kA
Voltage protection rating	Up <5.5kV
Response time	≤25 ns
Short circuit withstand capacity (Iscpv)	1000A
Operating temperature range	- 40°C ~ + 85°C
Cross-section of connection wire	Single-strand 35mm ² ; multi-strand 25mm ²
Mounting	35mm DIN-rail in accordance with EN 50022/DIN46277-3
Enclosure material	thermoplastic; extinguishing degree UL94 V-0
Degree of protection	IP20
Installation width	6 modules, DIN 43880
Thermal disconnecter	Internal green – normal ; red - failure
Remote alarm contact	Yes
Additional data for Remote Alarm Contacts	
Remote alarm contact type	Isolated Form C
Switching capability Un/In	AC: 250V/0.5A DC: 250V/0.1A; 125V/0.2A; 75V/0.5A
Max. Size of connecting wire	Max. 1.5mm ² (or # 16AWG)