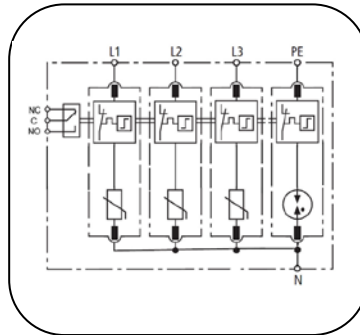
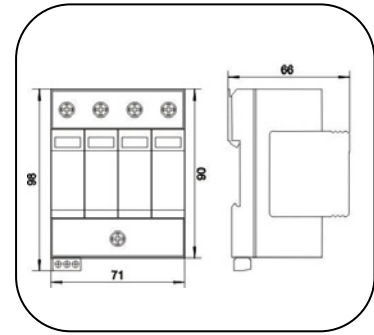


POWER SUPPLY SYSTEMS

SURGE PROTECTIVE DEVICE – TYPE 1 SPD



Basic circuit diagram



Dimension drawing

Type 1 surge protective device especially designed for low-voltage power supply system at the boundaries from lightning protection zone 1-2 and higher.

- Type 1CA surge protection device, passed intermediate current 100A, 500A, 1000A and short circuit current rating (SCCR) 200kA without external fuse or circuit breaker.
- ETL certified surge protector according to UL1449-4th
- Pluggable design with window fault indication
- Nominal discharge current I_n 20kA 8/20 per pole, max discharge current I_{max} 50kA 8/20 per pole
- High reliability due to global patented thermally protected MOV (TMOV) with special arc-extinguish device

Part No.		D3-50/150-3 VG-R	D3-50/180-3 VG-R	D3-50/250-3 VG-R	D3-50/275-3 VG-R	D3-50/320-3 VG-R	D3-50/420-3 VG-R	D3-50/550-3 VG-R	
In accordance with		UL1449-4th							
Category IEC/VDE		Type1CA							
Max. continuous operating voltage MCOV	L – N (VAC/DC)	150 /200	180 /240	250 /330	275 /370	320 /420	420 /560	550 /710	
	N-PE(VAC)	150	150	255	255	255	255	255	
Nominal discharge current(8/20) I_n	L-N	20kA							
	N-PE	20kA							
Max. discharge current(8/20) I_{max}	L-N	50kA							
	N-PE	50kA							
Voltage protection rating	VPR(L-N)	≤0.7kV	≤0.7kV	≤1.0kV	≤1.0kV	≤1.0kV	≤1.2kV	≤1.5kV	
	VPR(N-PE)	≤0.8kV	≤0.8kV	≤1.0kV	≤1.0kV	≤1.0kV	≤1.0kV	≤1.0kV	
Response time	L-N	≤25 ns							
	N-PE	≤100 ns							
Follow current	L-N	No							
	N-PE	100Arms@Uc							
Backup fuse(only required if not already provided in mains)		125A gL/gG							
Operating temperature range		- 40°C ~ + 80°C							
Cross-section of connection wire		Single-strand 35mm ² ; multi-strand 25mm ²							
Mounting		35mm DIN-rail in accordance with EN 50022/DIN46277-3							
Enclosure material		thermoplastic; extinguishing degree UL94 V-0							
Degree of protection		IP20							
Installation width		4 modules, DIN 43880							
Thermal disconnecter		Internal green – normal ; red - failure							
Remote alarm contact		Yes							
SCCR rating		200kA							
Approvals, Certifications		ETL/CE							
Additional data for Remote Alarm Contacts									
Remote alarm contact type		Isolated Form C							
Switching capability U_n/I_n		AC: 250V/0.5A				DC: 250V/0.1A; 125V/0.2A; 75V/0.5A			
Max. Size of connecting wire		Max. 1.5mm ² (or # 16AWG)							