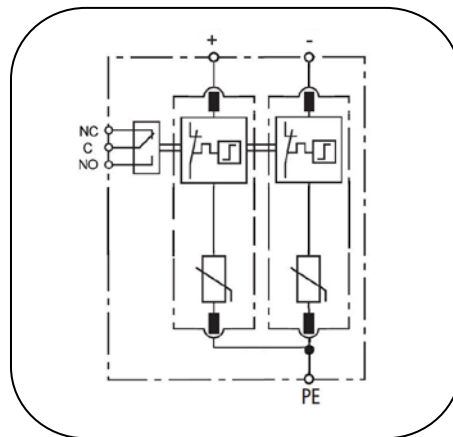




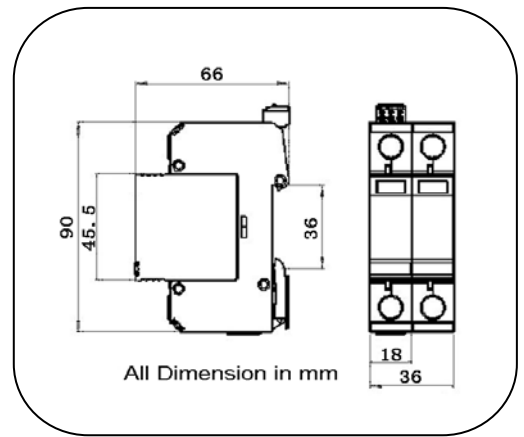
POWER SUPPLY SYSTEMS

**SURGE ARRESTERS – CLASS II**

**PV40/150-MVCR**



Basic circuit diagram



Dimension drawing

Type 2 surge arrester designed for low voltage DC system against surges at the boundaries from lightning protection zone 0B-2and higher.

- In accordance with EN50539, IEC61643-11 and UL1449-4th
- DC SPD for common mode protection
- Pluggable module design, easy replacement
- High discharge current 40kA 8/20
- Reliable supervision due to disconnection device;
- Fault indication by red indication flag in window;
- With remote alarm terminal

Part No.	PV40/150-MVCR	
In accordance with	EN50539;IEC61643-11:2011; UL1449-4th	
Category IEC/VDE	II/ C	
Protection Mode	Common mode	
Nominal voltage	Un	120Vdc
Max. continuous operating voltage	Ucpv	150Vdc
Nominal discharge current(8/20us)	In	20kA
Max. discharge current(8/20us)	Imax	40kA
Voltage protection rating	Up	<0.7kV
	VPR	<0.4kV
Short-circuit current rating(Iscpv)	1000A	
Response time	≤25 ns	
Follow current	No	
Backup fuse(only required if not already provided in	125A gR/gPV	
Operating temperature range	- 40°C ~ + 80°C	
Cross-section of connection wire	Single-strand 35mm <sup>2</sup> ; multi-strand 25mm <sup>2</sup>	
Mounting	35mm DIN-rail in accordance with EN 50022/DIN46277-3	
Enclosure material	thermoplastic; extinguishing degree UL94 V-0	
Degree of protection	IP20	
Installation width	2 modules, DIN 43880	
Thermal disconnector	Internal green – normal ; red - failure	
Remote alarm contact	Yes	
<b>Additional data for Remote Alarm Contacts</b>		
Remote alarm contact type	Isolated Form C	
Switching capability Un/In	AC: 250V/0.5A	DC: 250V/0.1A; 125V/0.2A; 75V/0.5A
Max. Size of connecting wire	Max. 1.5mm <sup>2</sup> (or # 16AWG)	