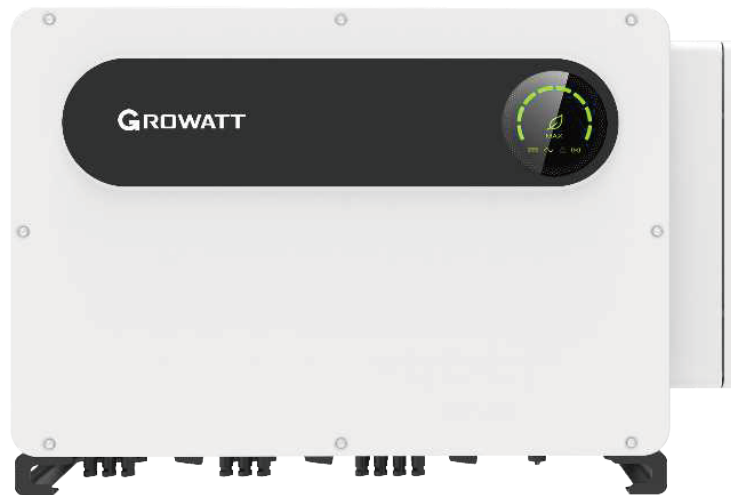


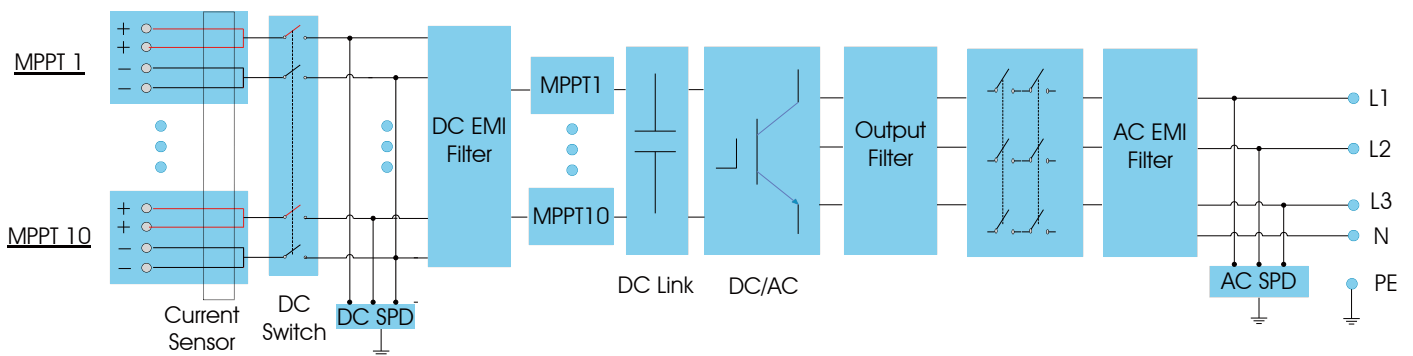


MAX 100~125KTL3-X LV

- 10 MPPTs fusefree design
- Smart I/V scan and diagnosis
- Intelligent string monitoring
- AC&DC type II SPD
- IP66 and C5 protection



Topology Diagram





Primary Specification

| Datasheet | MAX 100KTL3-X LV | MAX 110KTL3-X LV | MAX 120KTL3-X LV | MAX 125KTL3-X LV |
|---|---|-----------------------------|-----------------------------|----------------------------|
| Input data (DC) | | | | |
| Max. DC voltage | 1100V | | | |
| Start voltage | 195V | | | |
| Nominal voltage | 600V | | | |
| MPP voltage range | 180V-1000V | | | |
| No. of MPP trackers | 10 | | | |
| No. of PV strings per MPP tracker | 2 | | | |
| Max. input current per MPP tracker | 32A | | | |
| Max. short-circuit current per MPP tracker | 40A | | | |
| Output data (AC) | | | | |
| AC nominal power | 100000W | 110000W | 120000W | 125000W |
| Max. AC apparent power | 110000VA | 121000VA | 132000VA | 137500VA |
| Nominal AC voltage (range*) | 400V/380V(340-440VAC) | | | |
| AC grid frequency (range*) | 50/60 Hz(45~55Hz/55-65 Hz) | | | |
| Max. output current | 158.8A @400V 167.1A@380V | 174.6A @400V 183.8A@380V | 190.5A @400V 200.5A@380V | 198.5A@400V 208.9A@380V |
| Adjustable power factor | 0.8leading ...0.8lagging | | | |
| THDi | <3% | | | |
| AC grid connection type | 3W/N/PE | | | |
| Efficiency | | | | |
| Max. efficiency | 98.8% | | | |
| European efficiency | 98.50% | 98.5% | 98.5% | 98.5% |
| MPPT efficiency | 99.9% | | | |
| Protection devices | | | | |
| DC reverse polarity protection | Yes | | | |
| DC switch | Yes | | | |
| AC/DC surge protection | Type II / Type II | | | |
| Insulation resistance monitoring | Yes | | | |
| AC short-circuit protection | Yes | | | |
| Ground fault monitoring | Yes | | | |
| String detection | Yes | | | |
| Anti PID function | Opt | | | |
| Arc fault detection (AFCI) | Opt | | | |
| General data | | | | |
| Dimensions (W / H / D) | 970/640/345mm | | | |
| Weight | 84kg | | | |
| Operating temperature range | -30°C ... +60°C | | | |
| Nighttime power consumption | < 1W | | | |
| Topology | Transformerless | | | |
| Cooling | Smart Cooling | | | |
| Protection degree | IP66 | | | |
| Relative humidity | 0~100% | | | |
| Altitude | 4000m | | | |
| DC connection | H4/MC4 (Max.6mm ²) | | | |
| AC connection | OT Terminal (Max. 240mm ²) | | | |
| Display | LED/WIFI+APP | | | |
| Interfaces: RS485 / USB / PLC/GPRS/4G/WiFi | Yes/Yes/Optional/Optional/Optional/Optional | | | |
| Warranty: 5 years / 10 years | Yes /Optional | | | |
| CE,IEC62116, IEC61727, CQC, VDE0126, VFR2019, EN50549-1, C10/C11, UNE206007, G99 CEI 0-21/0-16, N4105, UNE206006,MEA, PEA, KSC8565 | | | | |

* The AC voltage range and frequency range may vary depending on specific country grid standard.
All specifications are subject to change without notice.